

104

Batch Ice Cream Freezer

Features

Serve home made, low or medium overrun ice cream, gelato, sorbet or yogurt. Fruits, candies and nuts can be folded in as product is being drawn into your container. Product may be ejected at temperatures low enough for serving, depending on mix formulation, flavourings and overrun desired.

Freezing Cylinder

One, 2.9 litre. Pre-charge of liquid mix determines overrun.

Automatic Timer Control

Finished product quality is automatically controlled by setting the time required for the recipe. A buzzer will sound to remind the operator to eject the finished product.

Funnel

Liquid mix and flavourings are poured into the top, using the convenient funnel provided.



Standard 6



LISTED
SA2650



Selected 50
Hz. Models

Taylor UK
Artisan Ice Cream Equipment

Taylor Company UK

Hillview Otley Ipswich Suffolk IP6 9NP

Tel: +44 (0) 1473 892336

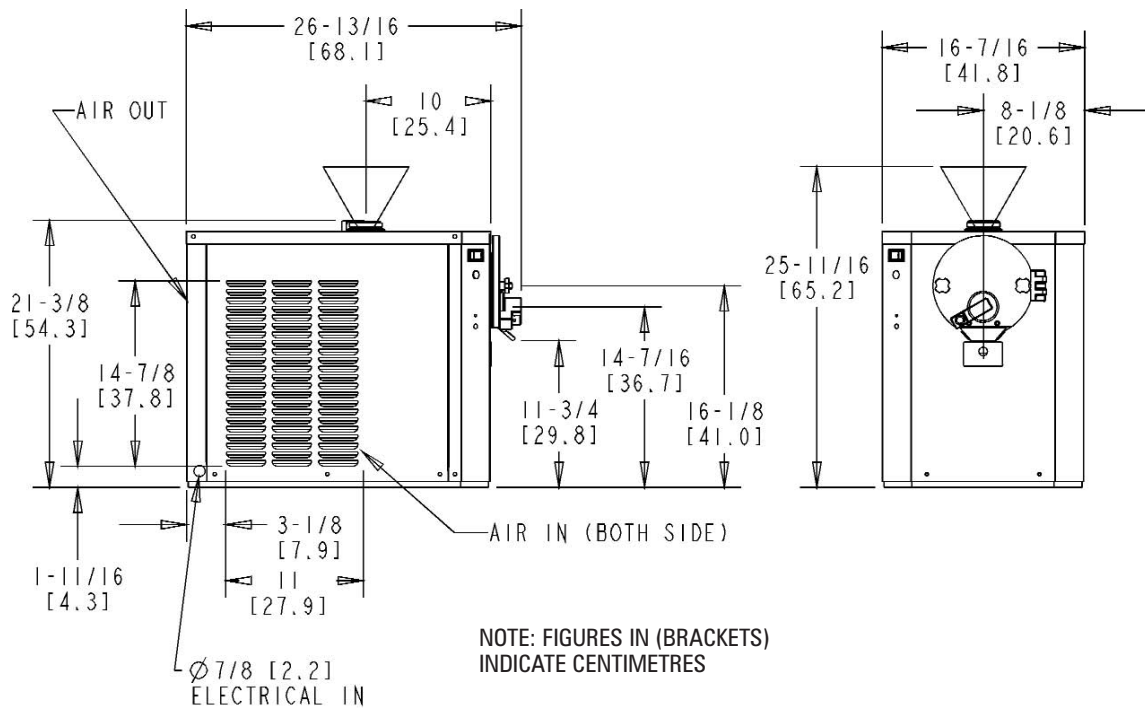
Fax: +44 (0) 1473 892337

www.taylor-company.co.uk

The Taylor Company USA
are an:



104 Batch Ice Cream Freezer



Weights	lbs.	kgs.
Net	165	74.9
Crated	199	90.3
	cu. ft.	cu. m.
Volume	17.3	0.49

Dimensions	in.	mm.
Width	16-7/16	418
Depth	26-13/16	681
Height	21-3/8	542
Counter Clearance	---	---

*Designed to rest on a plastic pad directly on counter top.

All machines are air cooled.

Electrical spec
220-240/50/1 2 pole 3 wire maximum fuse size 13 amp

Output
Approx 11.2 Litres per hour

Specifications

Electrical

One dedicated 13 amp electrical connection is required. See the electrical chart for the proper electrical requirements. Manufactured to be permanently connected.

Beater Motor

One, 1.0 HP.

Refrigeration System

One, approximately 2,500 BTU/hr. R404A.
(BTUs may vary depending on compressor used.)

Air Cooled

Minimum clearance: 152 mm around all sides. Minimum air clearances must be met to assure adequate air flow for optimum performance.

Continuing research results in steady improvements; therefore, these specifications are subject to change without notice.

TaylorUK
Artisan Ice Cream Equipment

Taylor Company UK
Hillview Otley Ipswich Suffolk IP6 9NP
Tel: +44 (0) 1473 892336
Fax: +44 (0) 1473 892337
www.taylor-company.co.uk