

# KALEIDO PASTRY

Professional ventilated pastry display



Model PAS RV 170 H135  
with optional Pelle Di Struzzo front finish



ITEM No. \_\_\_\_\_

**Model options:**

- KALEIDO PAS RV 120
- KALEIDO PAS RV 170
- KALEIDO PAS RV 220

ALL models listed above are available either H117 or H135 high

**Standard equipment:**

- Cool white LED lighting 5700 K°
- Work top - Glacier White Corian™
- Front panel - Black back-painted glass
- Lower front grill - Grey (RAL9007)
- Side panels - Grey (RAL9007) lacquered
- Refrigerated glass shelf - 1 in H117, 2 in H135
- Plexiglass sliding doors
- Swivel castors with brake & adjustable feet

**Optional extras:**

- Self rolling night curtain
- RGB LED lighting behind front panel
- Remote refrigeration installation (call for details)
- Front panel finishes - Vetro Rosso  
Pelli Di Struzzo  
Alicrite

**Features:**

- ◆ Pastry display case with ventilated refrigeration system with "FULL MODE" to also allow cooling of the shelves. One piece body insulated with ecological polyurethane (HCFC & HFC free) C02 foam, 60 mm thick.
- ◆ Display deck tilted by 4°. Service shelf in corian and the operator's side rear panel in epoxy powder-coated carbon steel.
- ◆ Shelves adjustable in depth. Two refrigerated shelves in the H135 model and one shelf in the H117 model.
- ◆ Double glazed heated front glass opens via top mounted hydraulic pistons. Aesthetic side panels made of laminate and lacquered on the lower part, double glazed heated glass on the upper section.
- ◆ Interior lighting with LED strip on top and on each shelf.
- ◆ Structure base in, epoxy powder-coated carbon steel with adjustable feet and rotating castors.
- ◆ Control panel with electronic control unit, located on lower part of operator's side and digital thermometer placed inside well.



**ENERGY SAVING**  
LED lights + EC fan motor



**REFRIGERATION**  
Ventilated



**DEFROST**  
Off cycle



**REFRIGERANT**  
R404A



**INSTALLATION**  
Plug-In / Remote (optional)



**TEMPERATURE**  
+1 / +10 °C



**CLIMATE CLASS**  
3



**Taylor UK** (a division of HTG Trading Ltd)  
106 Claydon Business Park, Gt. Blakenham,  
Ipswich, Suffolk, IP6 0NL, United Kingdom  
**0800 838 896 - sales@taylor-company.co.uk**  
**www.taylor-company.co.uk**

Due to continual research and development, these specifications are subject to change without notification - June 2019

# KALEIDO PASTRY



## Professional ventilated pastry display

Section view: (all dimensions in mm)

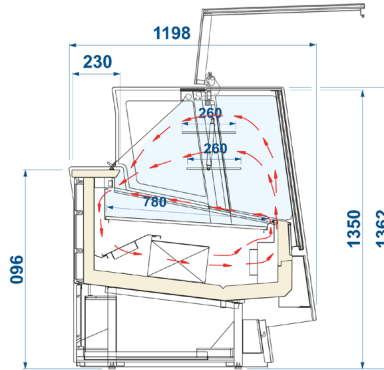
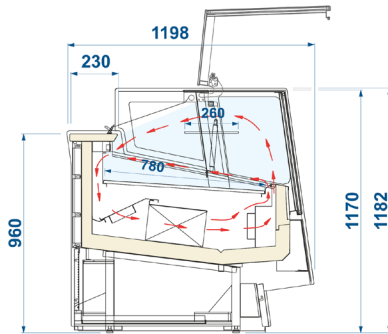
ITEM No. \_\_\_\_\_

### H117

1M: single shelf

### H135

2M: two shelves



KALEIDO PAS*	RV 120	RV 170	RV 220
External dimensions (LxDxH) <b>H117</b>	1182 x 1198 x 1182 mm	1677 x 1198 x 1182 mm	2172 x 1198 x 1182 mm
External dimensions (LxDxH) <b>H135</b>	1182 x 1198 x 1362 mm	1677 x 1198 x 1362 mm	2172 x 1198 x 1362 mm
Net weight <b>H117</b>	320 kg	409 kg	510 kg
Net weight <b>H135</b>	346 kg	434 kg	535 kg
Refrigeration	Ventilated		
Refrigerant	R404A		
Climate class	3		
Operating conditions	25 °C / 60 %RH		
Product storage temperature	+1 / +10 °C		
Compressor (no. - type)	1 - Hermetic		
Defrost process	Off cycle		
Power supply voltage	230v / 50hz / 1ph		
Electrical input (nominal)	1360 w / 7.4 A	1485 w / 8.1 A	1610 w / 8.7 A
Electrical input (defrost)	420 w / 2.3 A	485 w / 2.6 A	450 w / 2.4 A

KALEIDO PASTRY – Professional ventilated pastry display



\*Data for air cooled units. Water cooled and remote installations are available on request.



**Taylor UK** (a division of HTG Trading Ltd)  
 106 Claydon Business Park, Gt. Blakenham,  
 Ipswich, Suffolk, IP6 0NL, United Kingdom  
**0800 838 896 - sales@taylor-company.co.uk**  
**www.taylor-company.co.uk**

Due to continual research and development, these specifications are subject to change without notification - June 2019