

# METRO'

## LX/ST



LX



ST

93

129

**ISA S.r.l.**

Via del Lavoro 5  
06083 Bastia Umbra - Perugia - Italy  
Tel. +39 075 80171 - Fax +39 075 8000900  
[www.isaitaly.com](http://www.isaitaly.com)















<b>1.</b>	<b>NOTES / WARNINGS</b>	<b>4</b>
<b>2.</b>	<b>MANUFACTURER</b>	<b>10</b>
<b>3.</b>	<b>WARRANTY TERMS AND CONDITIONS</b>	<b>10</b>
<b>4.</b>	<b>EQUIPMENT IDENTIFICATION</b>	<b>11</b>
<b>5.</b>	<b>USE</b>	<b>12</b>
5.1	COMPOSITION	12
<b>6.</b>	<b>SAFETY</b>	<b>13</b>
6.1	SAFETY DEVICES PRESENT	13
6.2	FIXED GUARDS	13
6.3	ISOLATING THE ELECTRIC POWER SUPPLY	13
6.4	RESIDUAL RISKS	13
6.5	RISK OF CONTACT WITH LIVE PARTS	13
6.6	FIRE	14
6.7	EXPLOSIVE ATMOSPHERE	14
6.8	SLIPPING	14
6.9	TRIPPING	14
6.10	CIRCUIT FAULTS	14
6.11	WARNING SIGNS (if any)	14
6.12	FALLING OBJECTS	14
6.13	COOLING	14
6.14	FOODSTUFFS SAFETY (PACKAGED PRODUCTS)	14
<b>7.</b>	<b>DISPOSAL OF WASTE MATERIAL</b>	<b>15</b>
<b>8.</b>	<b>INSTALLATION</b>	<b>16</b>
8.1	STORAGE AND UNPACKING	16
8.2	INSTALLATION - POSITIONING - ENVIRONMENTAL CONDITIONS	16
8.3	ELECTRICAL CONNECTION	16
<b>9.</b>	<b>MAINTENANCE</b>	<b>17</b>
<b>10.</b>	<b>FAULTS - TECHNICAL AFTER-SALES ASSISTANCE</b>	<b>18</b>
10.1	ALARMS LIST (WHERE PRESENT)	19
<b>11.</b>	<b>TECHNICAL SPECIFICATIONS N VA</b>	<b>20</b>
	<b>TECHNICAL SPECIFICATIONS RV VA</b>	<b>21</b>
	<b>TECHNICAL SPECIFICATIONS RV LS</b>	<b>22</b>
11.1	INSTALLATION	23
11.2	POSITIONING	23
11.3	LOAD LIMITS	24
11.4	LEVELLING	24
11.5	AGJUSTING SHELVES	25
11.6	SHELVES LOAD LIMITS	25
11.7	LIGHTING	26
11.8	GLASS FRONT OPENING	27
11.9	OPEN/ CLOSE SELF ROLLING CURTAIN	28
<b>12.</b>	<b>CONTROL PANEL</b>	<b>29</b>
12.1	USER INTERFACE <b>XR44CX</b>	30
12.2	USER INTERFACE <b>EW978</b>	33
<b>13.</b>	<b>CLEANING</b>	<b>35</b>
<b>14.</b>	<b>PROLONGED APPLIANCE SWITCH-OFF</b>	<b>37</b>

**ATTACHMENTS**

1	WIRING DIAGRAM - 412100394000	38
2	WIRING DIAGRAM - 412100395000	39
3	WIRING DIAGRAM - 412100396000	40
4	WIRING DIAGRAM - 412100401000	41
5	WIRING DIAGRAM - 412100402000	42
6	WIRING DIAGRAM - 412100404000	43
7	WIRING DIAGRAM - 412100405000	44

The manual contains symbols to attract the reader's attention and highlight particularly important aspects. The table below illustrates the meaning of the various symbols used.

	Read the manual		Use of protective clothing
	<b>DANGER</b> Live electrical parts		Requests for maintenance or operations must be carried out by qualified staff or technical after-sales centres
	Attention/Danger		Important information
	Information		Operations that must be performed by two persons
	Eye check		Notes/Important Notes
	<b>UCA</b> On-board Condensing unit		<b>UCR</b> Remote Condensing unit

## 1. NOTES / WARNINGS



The content of this manual is of technical nature and is owned by **ISA**. It is forbidden to reproduce, circulate or modify all or part of its content without written consent. Any infringement will be legally pursued.

The manual and the conformity certificate are an integral part of the equipment and should always accompany the product in the event of a transfer to a new location or to a new owner. The user is responsible for the integrity of these documents, for their consultation and during the whole life cycle of the equipment itself. Keep this manual in a safe place. It should be available for consultation near the equipment at all times. If lost or destroyed, you can request a copy of the manual from **ISA** by specifying the exact model, serial number and year of manufacture. The manual reflects the manufacturing technology at the time of supply. The manufacturer reserves the right to modify its products in any way it deems necessary, with no obligation to update manuals and machines relating to previous manufacturing batches.

The equipment can be used by children no younger than 8 and by persons with reduced physical, sensorial or mental capabilities, or lacking experience or necessary knowledge, as long as supervised or after having received training regarding safe use of the equipment and have an understanding of the inherent risks involved. Do not allow children to play with the device. The cleaning and maintenance that the user will carry out must not be undertaken by children without supervision.

Always refer to this manual before going ahead with any operation. Before doing any type of work, disconnect the equipment from the power supply. Any work on electric and electronic parts or cooling system components should only be carried out by trained personnel in compliance with current laws.

The Manufacturer cannot be held liable for any damage to persons, animals or to the product in the cases below:

- improper use of the equipment or use of the appliance by unqualified or unauthorised personnel;
- failure to comply with current legislation
- incorrect installation and/or power supply faults
- failure to observe the instructions contained in this Manual
- failure to follow the maintenance programme
- unauthorised modifications
- installation of non-original spare parts in the equipment

## 1. NOTES / WARNINGS

- installation and use of the equipment for purposes other than those for which the appliance was designed and sold;
- Tampering with or damage to the power supply cable.

Liability for applying the safety instructions contained in this manual is held by the technical personnel responsible for the intended use of the equipment, who should ensure that authorised personnel:

- Are qualified to carry out the requested activity;
- is aware of and carefully complies with the instructions contained in this document
- are aware of, and apply, the general safety standards applicable to the equipment.

The buyer is responsible for training personnel using the appliance on the risks, safety devices and general health and safety rules required by the laws of the country where the appliance is installed. Users/operators should be aware of the position of all the controls and how they work, as well as of the features of the appliance.

They should also read this manual in its entirety. Maintenance work should be conducted by qualified personnel after the appliance has been prepared adequately.



### Danger

Unauthorised tampering or replacement of one or more parts of the appliance, use of accessories that modify the use of the same and use of spare parts different to those recommended, can become the cause of injury.



### Danger

Any work conducted on the on the appliance **must** involve disconnection from the power socket and in any case, none of the protective elements (grid, casing) should be removed by non-qualified staff. The appliance should not be operated when these protective elements have been removed.



### Note

In order not to compromise functionality and safety of the appliance, the particularly complex installation and maintenance activities are not documented in this manual and are performed by specialised ISA S.r.l. division TASSELLI.

## 1. NOTES / WARNINGS

Never use electric devices inside this appliance. Do not use mechanical devices or other means to accelerate the defrosting process, other than those recommended by the manufacturer. Keep the air vents in the casing of the appliance or in the structure built into the wall free of obstructions. Do not damage the refrigerant circuit.

### RISKS OF EXPLOSION

Do not store products contain flammable propellants and explosives.

#### **R744 - REFRIGERANT (WHERE APPLICABLE)**

The refrigerant **R744** is a gas that is compatible with the environment, but highly flammable. Pay close attention during transport, installation and that the destruction not to damage the refrigerant pipelines.

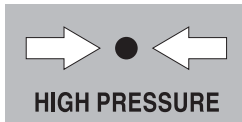
#### **IN THE EVENT OF DAMAGE:**

Keep flames or sources of ignition away from the appliance. Properly ventilate the premises for a few minutes. Turn the unit off, pull the plug. Inform the customer service department.



#### **WARNING**

The refrigerant system is **High Pressure**.



Do not tamper with the system, but call a specialised and qualified technician before disassembly.



#### **WARNING**

Maintenance must be performed by qualified personnel that has been to work with flammable refrigerants.

## 1. NOTES / WARNINGS

### R290 - REFRIGERANT (WHERE APPLICABLE)



The refrigerant **R290** is a gas that is compatible **with the environment**. Pay close attention during transport, installation and that the destruction not to damage the refrigerant pipelines.

#### IN THE EVENT OF DAMAGE:

Keep flames or sources of ignition away from the appliance. Properly ventilate the premises for a few minutes. Turn the unit off, pull the plug. Inform the customer service department. The more refrigerant containing an appliance, the greater must be the environment in which there is the unit. In areas too small, in the event of leakage can form a flammable mixture of air and gas. **The volume of the room where the appliance is installed must be at least 19 m<sup>3</sup> for each cooling system present in the room.**



#### WARNING

Maintenance must be performed exclusively by qualified staff.

### R600a - REFRIGERANT (WHERE APPLICABLE)



The refrigerant **R600a** is a gas that is compatible with the environment, but **highly flammable**. Pay close attention during transport, installation and that the destruction not to damage the refrigerant pipelines.

#### IN THE EVENT OF DAMAGE:

Keep flames or sources of ignition away from the appliance. Properly ventilate the premises for a few minutes. Turn the unit off, pull the plug. Inform the customer service department. The more refrigerant containing an appliance, the greater must be the environment in which there is the unit. In areas too small, in the event of leakage can form a flammable mixture of air and gas. **The volume of the room where the appliance is installed must be at least 17 m<sup>3</sup> for each cooling system present in the room.**



#### WARNING

Maintenance must be performed exclusively by qualified staff.

## 1. NOTES / WARNINGS

### STAFF TRAINING

The buyer is responsible for ensuring personnel who will use the appliance and maintenance technical staff are instructed and trained adequately. The manufacturer is available for advice, clarifications, etc. so that the operator and technical staff can use the appliance correctly. To ensure the operator's safety, appliance devices should be kept in constant working order. This manual is intended to illustrate the use and maintenance of the appliance. The operator has a responsibility and duty to carefully observe the instructions contained within it.

Failure to comply with safety standards may result in injury to personnel and damage to the equipment components and control unit. The user can contact the dealer to request additional information not contained in this document, or suggest improvements, at any time.



Before the product is delivered to the customer, it is essential that a **trained technical member of staff** checks that the appliance is operating correctly in order to achieve maximum performance.

### INTRODUCTION

**ISA** employs materials of the best quality and as they enter the company, we constantly monitor their storage and the use as part of the manufacturing process to prevent damage, deterioration and failure. All manufacturing elements has been designed and manufactured in order to guarantee reliability and high safety standards. All appliances are subjected to a strict testing procedure before delivery. However, please bear in mind that product performance over time depends on correct use and adequate maintenance. This manual contains the necessary instructions to maintain the appliance's initial appearance and functions over time.

The use and maintenance manual contains the information required to understand the operating modes of the appliance and for its correct use, in particular: the technical description of the various functional groups, accessories and safety systems, operation, use of instrumentation and interpretation of any diagnostic warnings, main procedures and information relating to the ordinary maintenance operations. For correct use of the appliance, the working environment should comply with current health and safety standards.



## 1. NOTES / WARNINGS

The safety requirements, indications, standards and notes illustrated in the various chapters of the manual are aimed at establishing a code of conduct and a series of obligations to be observed when performing the various activities, in order to create safe conditions for personnel, the equipment and the surrounding environment. The safety standards reported in this document are intended for trained, authorised personnel responsible for:

- Transport
- Installation
- Operation
- Management
- Maintenance
- Cleaning
- Putting out of order
- Disposal



### Caution

Reading this manual, albeit in full, is no substitute for adequate user experience. therefore it should only be considered a useful reminder of the technical features and the main operations to perform.



### Warning

Installers and users must read and understand all instructions herein before carrying out any operation on the equipment.



## 2. MANUFACTURER

### ISA S.r.l.

Via del Lavoro 5  
06083 - Bastia Umbra - Perugia - Italy  
Tel. +39 075 80171  
Fax +39 075 8000900

[www.isaitaly.com](http://www.isaitaly.com)



## 3. WARRANTY TERMS AND CONDITIONS

The seller's warranty on the equipment is valid for **12 (TWELVE) months from the date of delivery.**

The warranty includes repairs or replacements of any faulty parts due to manufacturing processes or installation after written communication has been received, stating the appliance serial number and date of installation.

Not included in the warranty:

- all defects caused by incorrect use of the appliance
- all defects caused by incorrect electrical connection
- all defects caused by normal wear (for instance compressor failure and fluorescent lamp malfunctioning that is not due to manufacturing defects)
- calls for installation, technical instructions, adjustments and cleaning the condenser

If the seller's technical staff detect any tampering, unauthorised repairs or inappropriate use of appliance the warranty will be invalidated.


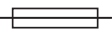



Shipment of components covered by the warranty is freight collect only.

Any damage to the appliance detected at the time of delivery due to transport must be reported on the same shipping note to claim compensation from the carrier.

The seller cannot be held liable in the event of damage to the preserved product due to appliance failure.

## 4. EQUIPMENT IDENTIFICATION

- Find the label affixed on the machine to read the technical data.
- Check the machine model and the power supply voltage before you perform any operation.
- If you uncover mismatches, contact the manufacturer or the company that supplied the machine immediately.

1		2			
Tip. 3		Mod. 4			
Art. 5					
Data prod. - Prod. Date 6	Ordine prod. - Prod. Order 7	Ord. cliente - Cust. Order 8	Classe Prodotto - Product Class 9 (En23953)		
Matricola - Serial Number 10				Matr. di Proprietà - Property Number 11	
12 V~	13 Hz		14 A		15 W
	16 W				
Potenza nominale - Rated Power 17 W	Potenza in Sbrinam. - Defrosting Power 18 W	Psig min 19	Psig max 20	Classe Sicur. - Safety Class 21 (EN 60335-2-89)	
Corrente nominale - Rated Current 22 A	Corrente in Sbrinam. - Defrosting Current 23 A	Carico rip. - Shelf load 24 Kg/m2	Carico vasca - Tank load 25 Kg/m2		
Tipo Refrigerante Refrigerant Type 1 . 2 . 26 3 .		Peso Refrigerante Refrigerant Weight Kg 27 Kg Kg		Volume Lordo - Gross Volume 28 L Espandente - Foaming Agent 29	
 30					
CONTIENE GAS FLUORURATI AD EFFETTO SERRA DISCIPLINATI DAL PROTOCOLLO DI KYOYO; SISTEMA ERMETICAMENTE SIGILLATO CONTAINS FLUORINATED GREENHOUSE GASES COVERED BY THE KYOTO PROTOCOL; SYSTEM HERMETICALLY SEALED					

1	Identification of the Company Product Manager	16	Electrical resistance absorption
2	Symbols of Compliance	17	Nominal power (normal operation)
3	Type	18	Power (defrosting)
4	Model Name	19	Minimum pressure
5	Article	20	Maximum pressure
6	Production Date	21	Safety class
7	Production Order	22	Nominal current
8	Customer order	23	Current during defrosting
9	Product class	24	Level load
10	Serial number	25	Tank load
11	Owner registration number	26	Type of Coolant
12	Voltage	27	Weight of coolant
13	Supply voltage	28	Gross volume
14	Fuse Value	29	Expanding isolation agent
15	Lamp Power	30	WEEE Mark

## 5. USE

This appliance is exclusively intended to:

### DISPLAY AND SELL PASTRY (FRESH OR DRY) AND/OR PRE-PACKAGED FRESH PRODUCTS

The manufacturer is not liable for injury to persons or damage to property or the appliance itself caused by the displaying of products other than those described above.



**THE APPLIANCE IS INTENDED FOR PROFESSIONAL USE.**

#### Uses not allowed

- Food preservation.
- Displaying and/or preserving non-food products (chemicals, pharmaceuticals, etc...).

### 5.1 COMPOSITION

The appliance is made up from a unique cabinet, onto which all devices necessary to make it a professional and efficient product for its declared use, are installed.

The appliance is made up from:

Cooling system at Ventilated Refrigeration (RV)	VA - LS
Condensing unit on board (UCA)	VA - LS
Electrical system	
Electronic control board	
Insulated monolithic structure in ecological polyurethane	
Adjustable leveling feet in height	
LED lighting	
Shelves for displaying food products adjustable in height	
Operator side closure with tempered glass sliding doors	VA
Operator side closure with tempered glass doors	LS
Pivoting wheels with brake	OPTIONAL



## 6. SAFETY

The appliance is equipped with safety devices. The buyer is responsible for training personnel using the appliance on the risks, safety devices and general health and safety rules required by the laws of the country where the appliance is installed. Users/operators should be aware of the position of all the controls and how they work, as well as of the features of the appliance. They must also have read this manual in its entirety.

### 6.1 SAFETY DEVICES PRESENT

Devices whose operation prevents the occurrence of risk situations in operating conditions (e.g. fuses, pressure switches, protections, magnet circuit breakers, etc.).

### 6.2 FIXED PROTECTIONS

Fixed protective devices consist of fixed perimeter shields, which are used to prevent external parts from entering the equipment.



#### **Danger**

It is prohibited to re-start the appliance following maintenance without having correctly restores the panels.



#### **Visual Check**

You should check the integrity of fixed panels and corresponding fixings to the frame, focussing in particular on the protective panels.

### 6.3 ISOLATING THE ELECTRIC POWER SUPPLY

Before conducting any maintenance work on the equipment or part of it, it is necessary to section the power supply that powers it.



#### **Danger**

In the event of maintenance operations in which the operator cannot prevent accidental closure of the circuit by others, to totally disconnect the appliance from the mains electricity.

### 6.4 RESIDUAL RISKS

During design the manufacturer examined all the areas or parts at risk. Therefore, all necessary precautions have been taken to prevent risks to persons and damage to the appliance.



#### **Caution**

Periodically check that all safety devices are operating correctly.  
Do not remove the fixed guards.  
Do not introduce objects or tools into the work area.

Although the appliance is fitted with the safety devices prepared, there are still some risks that cannot be eliminated, but reduced via corrective actions by the final integrator and correct operational procedures.

Below is a summary of the remaining risks associated with the appliance during:

- Normal operation
- Adjustments and tweaking
- Maintenance
- Cleaning

### 6.5 RISKS OF CONTACT WITH LIVE PARTS

Risk of breaking or damaging the electrical components of the appliance, with a possible reduction in safety levels, following a short circuit.

Before connecting the electricity supply, make sure there is no ongoing maintenance work.



#### **Caution**

Before making the connection, check that the d.c. current in the installation point does not exceed that indicated on the protections switches present in the electric control board. If this is not the case, the user must envision the relevant limiting devices.  
It is strictly forbidden to conduct any electrical modification, in order to prevent additional unforeseen hazards and risks.

## 6.6 FIRE



### **Danger**

In the event of a fire, immediately disconnect the master switch from the main power supply line.

## 6.7 EXPLOSIVE ATMOSPHERE

The equipment must not be located in an area classified as an explosion risk according to 1999/92/EC such as:

### **Zone 0**

An area in which there is a permanent, long-lasting or frequently explosive atmosphere made up of a mixture of air and flammable substances in the form of gases, fumes or steam.

### **Zone 1**

An area in which the formation of an explosive atmosphere, made up of a mixture of air and flammable substances in the form of gases, fumes or steam is occasionally probable during normal activities.

### **Zone 20**

An area in which there is a permanent, long-lasting or frequently explosive atmosphere in the form of clouds of combustible dust in the air.

### **Zone 21**

An area in which the formation of an explosive atmosphere in the form of clouds of combustible dust is occasionally probable during normal activities.

## 6.8 SLIPPING



Any leaks in the areas surrounding the appliance may cause personnel to slip. Check that there are no leaks and keep these areas clean at all times.

## 6.9 TRIPPING



Generally untidy deposits of material may constitute a tripping hazard and a total or partial obstruction of emergency exit routes.

You should ensure that operating and transit areas and escape routes are free from obstacles in compliance with current law.

## 6.10 CIRCUIT FAULTS

Owing to potential faults, safety circuits may become less effective, which results in lower safety levels. You should check the operational condition of the appliance devices regularly.

## 6.11 WARNING SIGNS (IF ANY)

The appliance is fitted with warning danger, warning and obligation signs defined in agreement with the Standard relative to the graphical signs to be used on plants. The signs are located in clearly visible positions.



### **Caution**

The warning plates present on the appliance must not be removed.

The user is responsible for replacing warning signs that, owing to wear, become unreadable.

## 6.12 FALLING OBJECTS

Positioning of the cabinet display parts (i.e. counters, rods and hooks), as also product arrangement inside the cabinet can be the source of potential hazards if not properly performed. Follow the positioning instructions described in this Manual before you place products inside the cabinet, check that the counters are properly fastened, as also the hooks, etc. Do not exceed the maximum load limit. Do not exceed the maximum load limit. Do not position tilted product on the counters if they are not held in place by their stoppers.

## 6.13 COOLING

During different operations to perform on the counter, such as cleaning or loading goods, it is necessary to handle products and/or counter parts at a low temperature with the risk of "cold injury" for the operators and/or accidental slipping hazard. Follow the safety regulations in the place where the cabinet is installed; more specifically, be sure to always use the right PPE (especially gloves).

## 6.14 FOODSTUFFS SAFETY (PACKAGED PRODUCTS)

The refrigerator cabinet described herein is meant to be used to display packaged products. As such, it is not designed for direct contact between the foodstuffs and display surfaces. If the foodstuffs do accidentally make contact with the surfaces and for a rather long time, the product may be contaminated. Follow the guidelines on how to use the cabinet. If a product package breaks, remove it from the cabinet and clean, if necessary.

## 7. DISPOSAL OF WASTE MATERIAL

During normal operation, the appliance does not generate any environmental contamination. At the end of its life cycle, or if it is necessary to proceed to permanent decommissioning, we recommend following the procedures below:

### DISPOSAL (USER)



The symbol, applied to either the product or its packaging, indicates that the product should not be considered as normal domestic waste, but should be taken to a waste collection point for the recycling of electrical and electronic appliances. The correct disposal of this product contributes to preventing potential negative consequences that might derive from an inadequate disposal of the product. For detailed information about recycling this product, contact your council, your local waste collection service or the store where you purchased the product.

### PROCEDURE FOR DISPOSAL and RECYCLING AT THE END OF APPLIANCE LIFE SPAN (AUTHORISED BODIES)

- Switch off the equipment and unplug the power supply cable.
- 2. Remove the lamps (if installed). These should be disposed of separately.
- Remove the power units and the electronic cards. These should be disposed of separately.
- Remove all the independent parts (grids, casings, profiles, etc.) and group them according to shared features in order to access the heat exchangers, pipes, cables, etc. and be careful not to damage the cooling circuit.
- Remove all mobile parts (doors, sliding doors, glass parts, etc.) and group the various materials according to their features.
- Check the type of refrigerant on the plate positioned inside the counter; extract the refrigerant and dispose of it through authorised services.
- 6. Disconnect the evaporator, condenser, compressor, pipes and fans. These are made of copper, aluminium, steel and plastic and should therefore be disposed of separately.
- On removal of all guards and the various components from the frame, separate the different types of material making up the appliance (plastic, sheet steel, polyurethane, copper, etc) and collect them separately.



All recyclable materials and waste should be processed and recycled by professionals, in compliance with the laws in the country in question. The company responsible for recycling the materials should be registered and certified as a waste disposal service in accordance with the country in question.



#### Caution

Illegal disposal of the product by the owner will result in administrative sanctions as required by current laws. Disposal of the product should comply with current laws on the disposal of coolant liquids and mineral oils.



#### Important

If the crossed wheellie bin sign is not present on the appliance, it means that the disposal of the product is not the manufacturer's responsibility. In this case, the Regulations regarding the disposal of waste in force are valid.



#### Additional information

Further information on the disposal of liquid coolant, oils and other substances is available on the safety data sheet corresponding to the substance itself.

In order to dispose of foamed assemblies, remember that the polyurethane foams used are CFC, HFC and HCFC free.

## 8. INSTALLATION

This manual supplies the information necessary for correct unpacking, procedures for positioning and connection to mains electricity.

### 8.1 STORAGE AND UNPACKING

The appliance, with or without the packaging, should be carefully stored inside warehouses or in areas away from the elements and direct sunlight, at a temperature between **0** and **+40 °C**.



The movement of the apparatus should only be carried out using a fork lift of a suitable power for the weight of the same and manoeuvred by qualified personnel: during such operations the equipment must be positioned on the supplied pallet.



All packaging materials are recyclable and should be disposed of in accordance with local regulations. Please destroy "plastic" bags to prevent them from becoming hazardous to children (suffocation).

### 8.2 INSTALLATION - POSITIONING - ENVIRONMENTAL CONDITIONS



#### Caution

A dry room that can be ventilated is the suitable location for the appliance's installation. There should be a good air flow around the compressor/condensing unit. Therefore the area around the unit should not be obstructed by boxes or other objects.

Place the equipment away from sources of heat (radiators, heaters of any kind, etc.) and far from the influence of continuous air movement (caused by fans, air conditioning units, etc.). If it is unavoidable to install near a heat source, use a suitable insulating plate, Also avoid exposure to direct sunlight; all of this causes the temperature inside the refrigerated compartment to rise with negative consequences on operation and energy consumption. Do not use the appliance outdoors and do not leave it exposed to rain.

### 8.3 ELECTRIC CONNECTION



#### Caution

Check that the network voltage matches the one displayed on the identification plate of the appliance, and that the power is adequate.

Check on the socket that the power supply voltage provides rated voltage ( $\pm 10\%$ ) when you start up the compressor.

The plug should be directly connected to the electrical socket. It is forbidden to connect the plug to the socket by means of multiple socket extensions or adaptors.

the plant power supply socket must be fitted with a disconnection device from the mains electricity (dimensioned to the load and in compliance with Standards in force), which guarantees complete disconnection in category III (3) over-voltage conditions and therefore protects the circuits against earth faults, overloads and short circuits.

Do not route the electricity cable in passageways.





#### Caution

Earthing is necessary and mandatory by law.





## 9. MAINTENANCE

The **Staff in charge of the appliance** must control and respect the expiry dates for maintenance, given in the table below, calling the authorised **Technical After-sales assistance** when indicated.


OPERATION	FREQUENCY				ORDINARY	EXTRAORDINARY	PERSONNEL AUTHORISED
	Depending on the Use and Necessity	Monthly	six-month	Annual			
CLEANING THE EXTERNAL SURFACES	X				X		USER
CLEANING THE ACCESSIBLE INTERNAL PARTS (without the use of tools)	X				X		
CONTROL POWER SUPPLY CABLE, PLUGS AND / OR ELECTRICAL SOCKETS			X		X		
INTEGRITY CONTROL SEAL		X			X		
FILTER CLEANING CONDENSING UNIT (whenever present)			X		X		
CLEANING THE DEFROSTING WATER COLLECTION TRAY	X				X		 TECHNICAL ASSISTANCE
CONDENSER CLEANING	X			X	X		
CHECK COMPRESSORE OIL LEVEL (whenever present)					X		
AIR TANK DRAINING (whenever present)			X		X		
CONTROL PNEUMATIC CONNECTIONS (whenever present)			X		X		
INTEGRITY CONTROL PIPE COOLING SYSTEM			X		X		
INSPECTION OF CABLES INTERNAL CONNECTIONS AND POWER			X		X		
CLEANING CONDENSATE DRYING SPONGES (whenever present)			X		X		
LAMP / LED REPLACEMENT (whenever present)						X	
CONTROL PANEL REPLACING (electronic control unit - thermostat - etc)						X	
REPLACEMENT POWER SUPPLY CABLE, PLUGS AND / OR ELECTRICAL SOCKETS						X	
<b>Caution</b>  After all maintenance it is <b>mandatory</b> to perform all electric safety tests in agreement with the IEC EN 50106 Standard.							

## 10. FAULTS - TECHNICAL AFTER-SALES ASSISTANCE

If the appliance is not working properly or stops working, **before contacting** the Customer support centre, check the following:

THE EQUIPMENT DOES NOT WORK		
CAUSE	SOLUTION	PERSONNEL AUTHORISED
Blown protective fuse	Find the cause of the intervention of the switch first, and then replace the new fuse.	USER
The master switch is open	Close the master switch.	
The plug is not inserted	Insert the plug.	
Electrical black-out	If the black-out should be prolonged, transfer the product into an appropriate cold storage container.	
THE INTERNAL TEMPERATURE IS NOT LOW ENOUGH		
CAUSE	SOLUTION	PERSONNEL AUTHORISED
Evaporator/s obstructed completely by ice	Carry out an additional defrosting cycle.	USER
Wrong temperature setting	Set the appropriate temperature.	
The appliance is affected by draughts or is exposed to direct or reflected sunlight	Remove any draughts and prevent any direct or reflected sunlight.	
Insufficient air flow for cooling to the condenser	Remove anything that may affect air flow inside the condensing unit (paper sheets, cardboard, grids with an insufficient number of holes, etc.).	
Internal fans at standstill or with fans damage		TECHNICAL ASSISTANCE 
Internal ventilation is too high		
Thermostat / Electrical base unit not efficient	Replace the electronic control board. If the control unit is set up especially for must R290 refrigerant, it must only be replaced with an original replacement from ISA. <b>Replace the temperature</b> probes only after checking which of the two is not operating efficiently.	
Condenser unit blocked by dust or dirt in general.	Clean the condensing unit thoroughly. The air condenser or MAINTENANCE FREE, in particular heavy environments (e.g. presence of dust, the presence of excessive moisture, oiled vapours etc..) in order to avoid performance loss, needs accurate cleaning.	
Insufficient refrigerant load in the cooling system	Find the cause behind the lower amounts of coolant and eliminate it. Top up the coolant. If necessary, empty the system before topping up.	
THE COMPRESSOR DOES NOT START-UP OR OPERATES FOR A FEW MOMENTS		
CAUSE	SOLUTION	PERSONNEL AUTHORISED
No electric power supply to the appliance	Check if there is a power cut. Close the various switches on the power supply line.	USER
Excessively low power voltage	Check that the network voltage of the power supply cable is 220V +/- 10%.	
Temperature set too high	If the temperature is higher than the air temperature in the display chamber, the compressor will not start. Set the suited temperature if the current temperature is not low enough.	
Intervention of the maximum pressure switch (where present)	Check the cause of continuous intervention of the maximum pressure switch, which may be: air condenser blocked, condensing fan stopped, ambient temperature too high, pressure switch defective.	TECHNICAL ASSISTANCE 

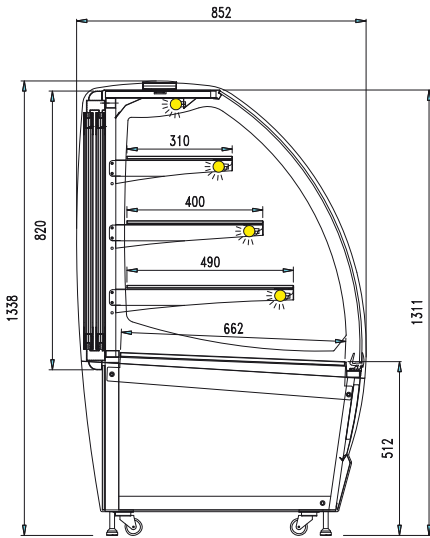
## 10.1 ALARM LIST (WHERE PRESENT)

ALARM	DESCRIPTION	OUTPUTS	PERSONNEL AUTHORISED
			
<b>P1</b> <b>EO</b>	Broken thermostat probe. Compressor output according to "CO <sub>n</sub> " and "CO <sub>F</sub> " parameters.	<ul style="list-style-type: none"> <li>The alarm starts a few seconds after the probe breaks down; it stops a few seconds after the probe starts working again properly.</li> <li>We recommend checking the probe connections before replacing it.</li> </ul>	
<b>P2</b> <b>E1</b>	Broken evaporator probe. Set time for defrosting.	<ul style="list-style-type: none"> <li>The alarm starts a few seconds after the probe breaks down; it stops a few seconds after the probe starts working again properly.</li> <li>We recommend checking the probe connections before replacing it.</li> </ul>	
<b>HA</b> <b>HI</b>	High temperature alarm.	<ul style="list-style-type: none"> <li>The alarm stops automatically on reaching the temperature set.</li> <li>Check programming.</li> </ul>	
<b>LA</b> <b>LO</b>	Low temperature alarm.	<ul style="list-style-type: none"> <li>The alarm stops automatically on reaching the temperature set.</li> <li>Check programming.</li> </ul>	
<b>EA</b> <b>IA</b> <b>CB</b>	External alarm.	<ul style="list-style-type: none"> <li>The external alarm stops after the digital in feed is deactivated, it is restored automatically.</li> <li>The alarm is linked to the intervention of the pressure switch and/or the compressor circuit breaker, when present.</li> </ul>	
<b>ETc</b> <b>RTF</b>	Real time clock is broken.	<ul style="list-style-type: none"> <li>Reset the clock.</li> <li>If the alarm does not stop, replace the clock.</li> </ul>	
<b>EE</b>	Machine parameter error.	<ul style="list-style-type: none"> <li>The instrument is damaged. It should be replaced.</li> </ul>	
<b>EF</b>	Parameter error in Operation	<ul style="list-style-type: none"> <li>The instrument is damaged. It should be replaced.</li> </ul>	

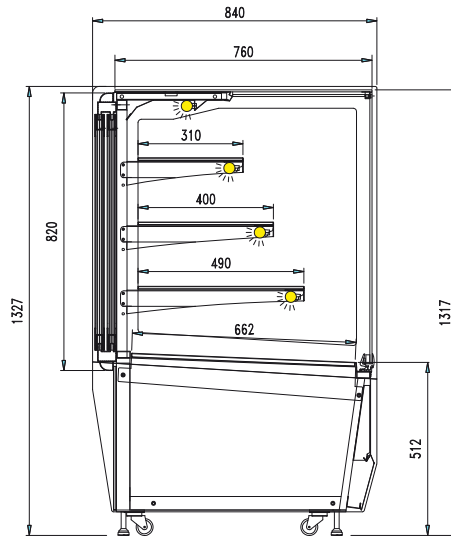
# 11. TECHNICAL SPECIFICATIONS

## N VA

### LX



### ST



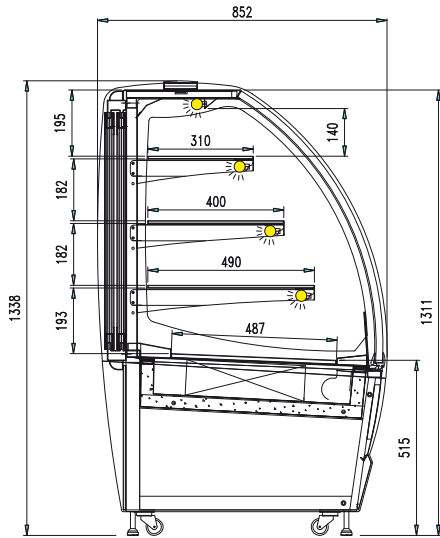
			93	129
External dimensions	Length	mm	950	1305
		mm	LX	852
	Depth	mm	ST	840
		mm	LX	1338
Height	mm	ST	1327	
	mm	ST	1317	
Weight (net)	Kg		200	250



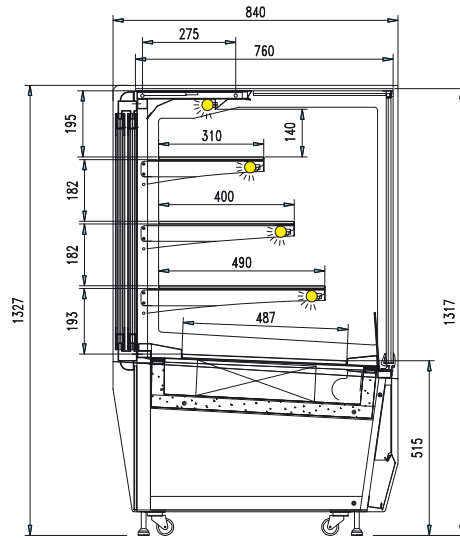
## 11. TECHNICAL SPECIFICATIONS

### RV VA

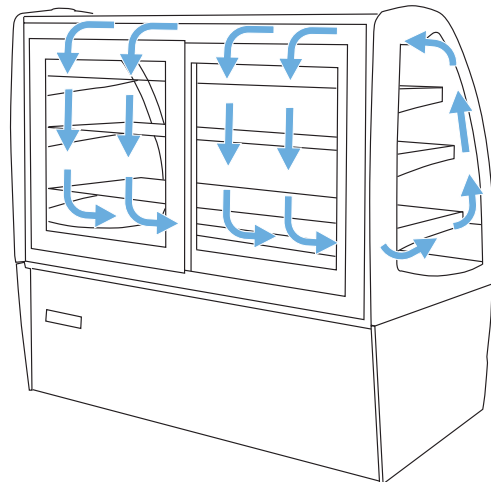
#### LX



#### ST



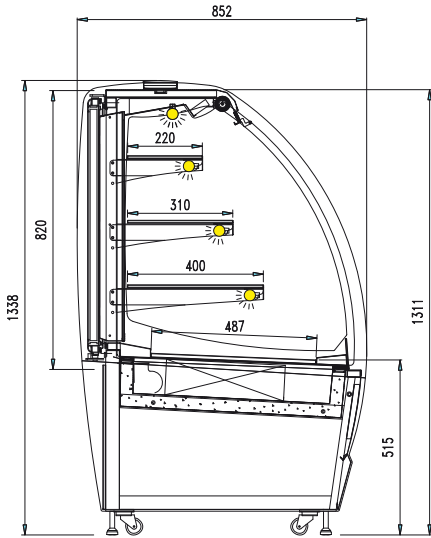
				93	129
External dimensions	Length	mm		950	1305
	Depth	mm	LX	852	
		mm	ST	840	
	Height	mm	LX	1338	
mm		ST	1327		
Weight (net)	Kg		330	430	



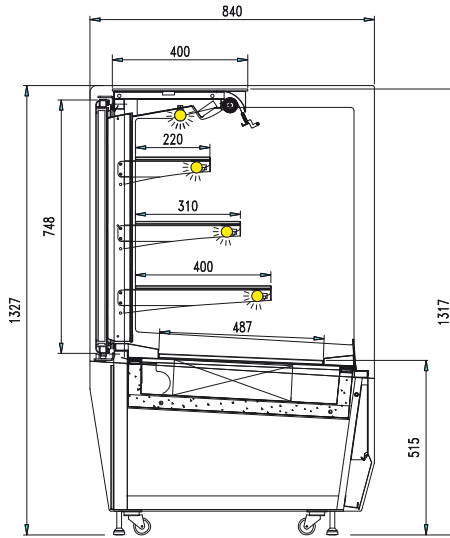
# 11. TECHNICAL SPECIFICATIONS

## RV LS

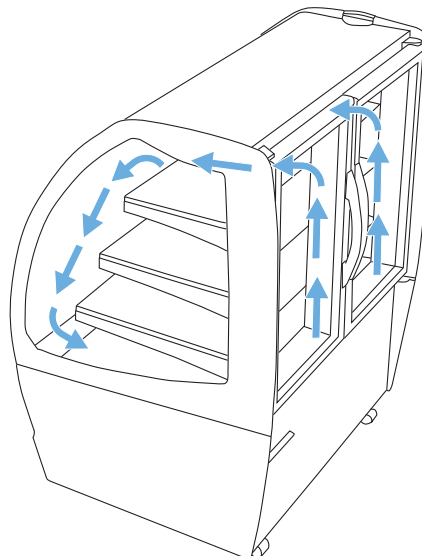
### LX



### ST



			93	129
External dimensions	Length	mm	950	1305
		mm	LX	852
	Depth	mm	ST	840
		mm	LX	1338
Height	mm	ST	1327	
	mm	ST	1327	
Weight (net)	Kg		310	400

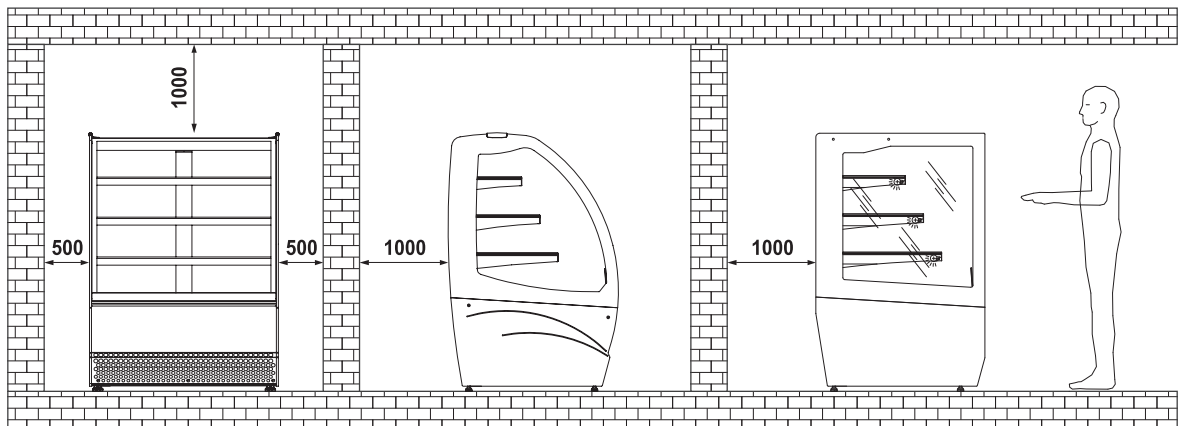


## 11.1 INSTALLATION



### Caution

It is fundamental to respect the distances indicated (mm) for correct installation of the appliance.

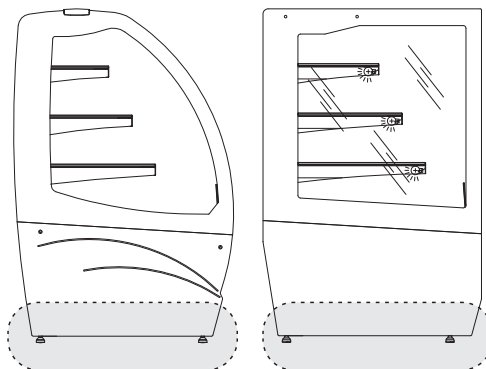


## 11.2 POSITIONING

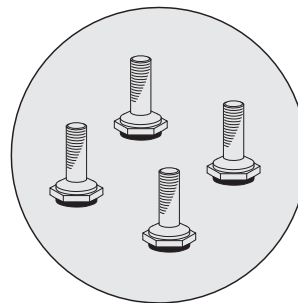


### Warning

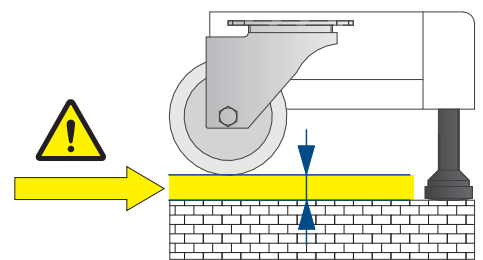
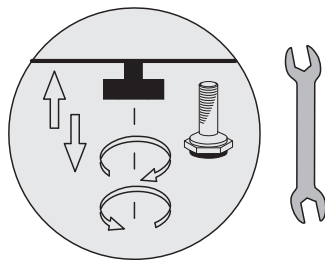
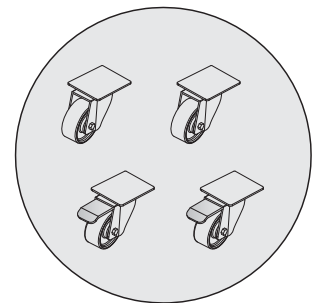
The equipment is fitted with height adjustable feet.  
It is absolutely necessary after placement, to stabilise the equipment to the floor.



### STANDARD



### OPTIONAL



After its placement, the equipment must be stabilized to the floor by acting on specific adjustable feet so that they do not rest on the wheels where present.

### 11.3 LOAD LIMITS



#### Caution

It is fundamental **not to exceed** the load limits **indicated** in order to avoid altering the correct circulation of air and to avoid the temperature of the product being too high.



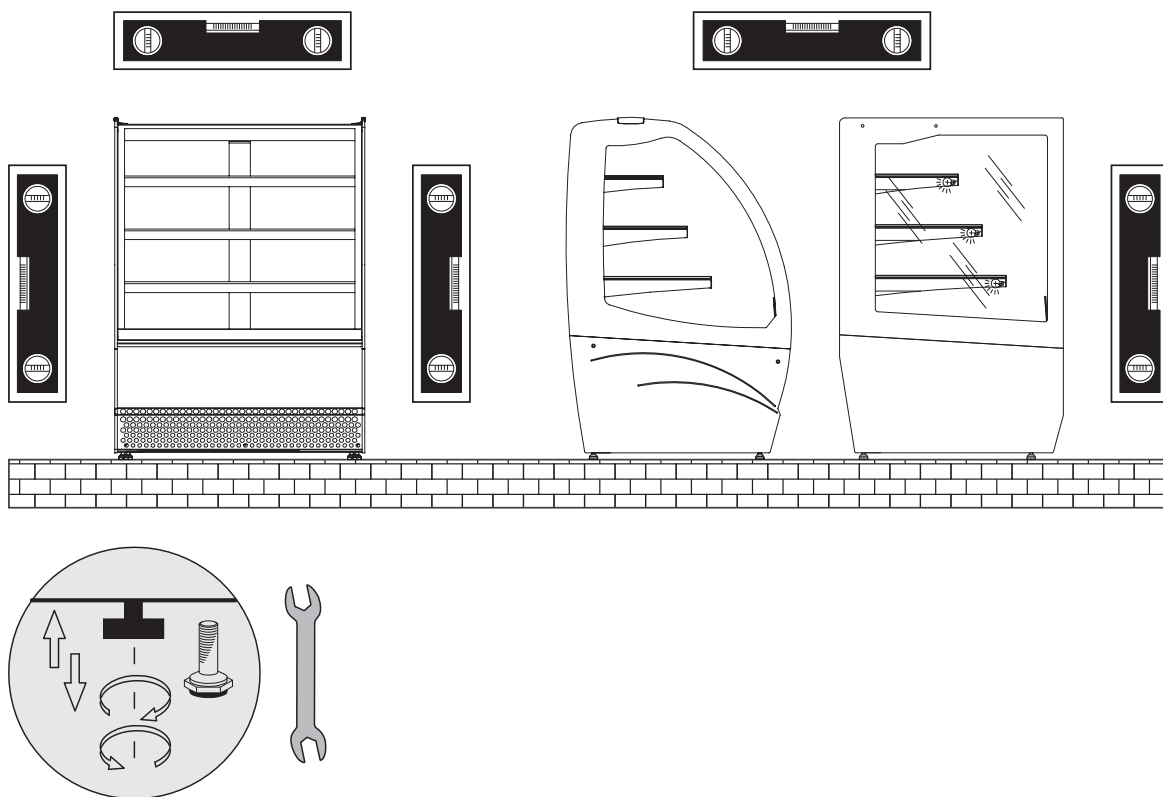
The limits indicated refer to a static and evenly distributed load. Therefore dynamic overloads due to violent loading operations are excluded, which must be prevented for safety reasons.

### 11.4 LEVELLING



#### Warning

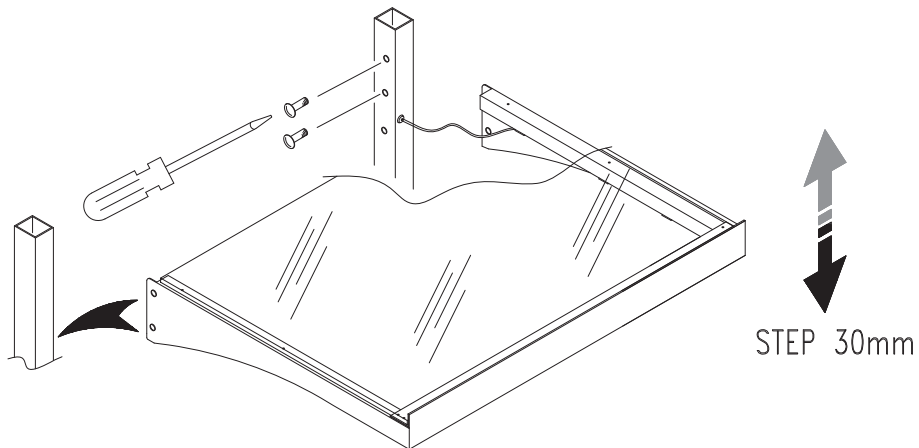
It is absolutely necessary after placement, to level the equipment to the floor.





## 11.5 ADJUSTING SHELVES

The display shelves are adjustable in height as indicated below.

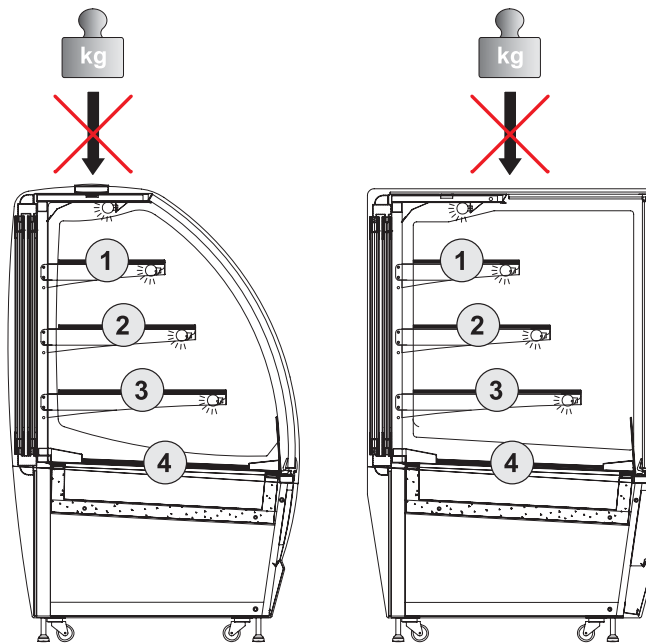


## 11.6 SHELVES LOAD LIMITS



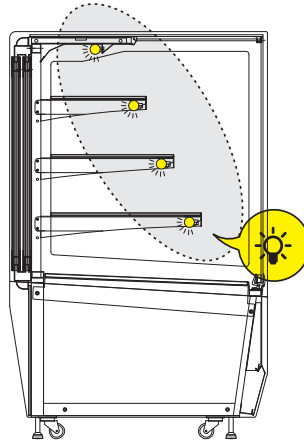
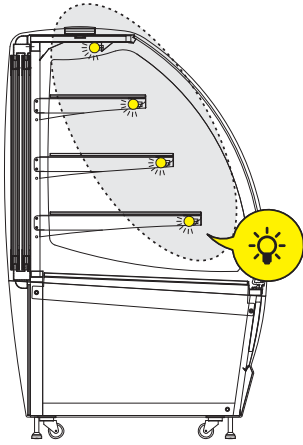
### Attention

The weight limits indicated for each shelf must be respected to avoid their deformation or breaking.

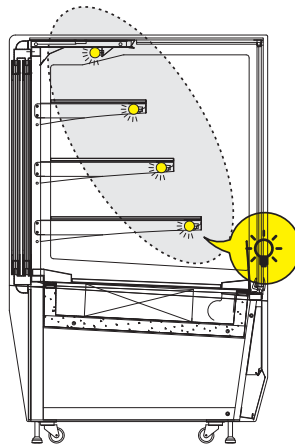
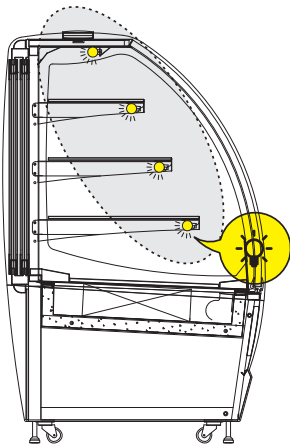


SHELF N°		93	129
1	Kg max	30	45
2	Kg max	30	45
3	Kg max	30	45
4	Kg max	30	45

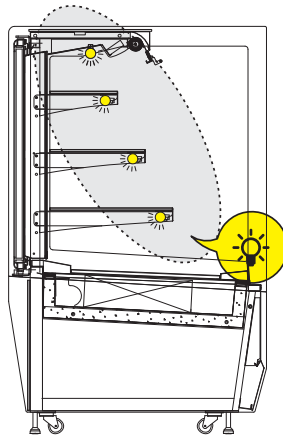
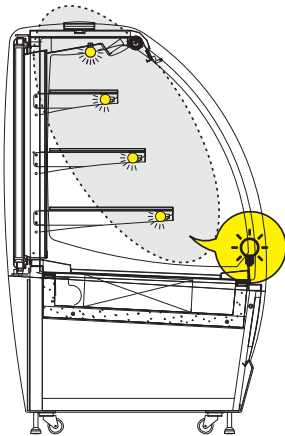
## 11.7 LIGHTING



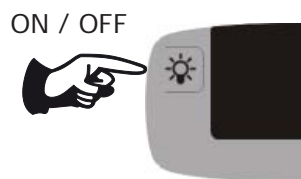
**N VA**



**RV VA**

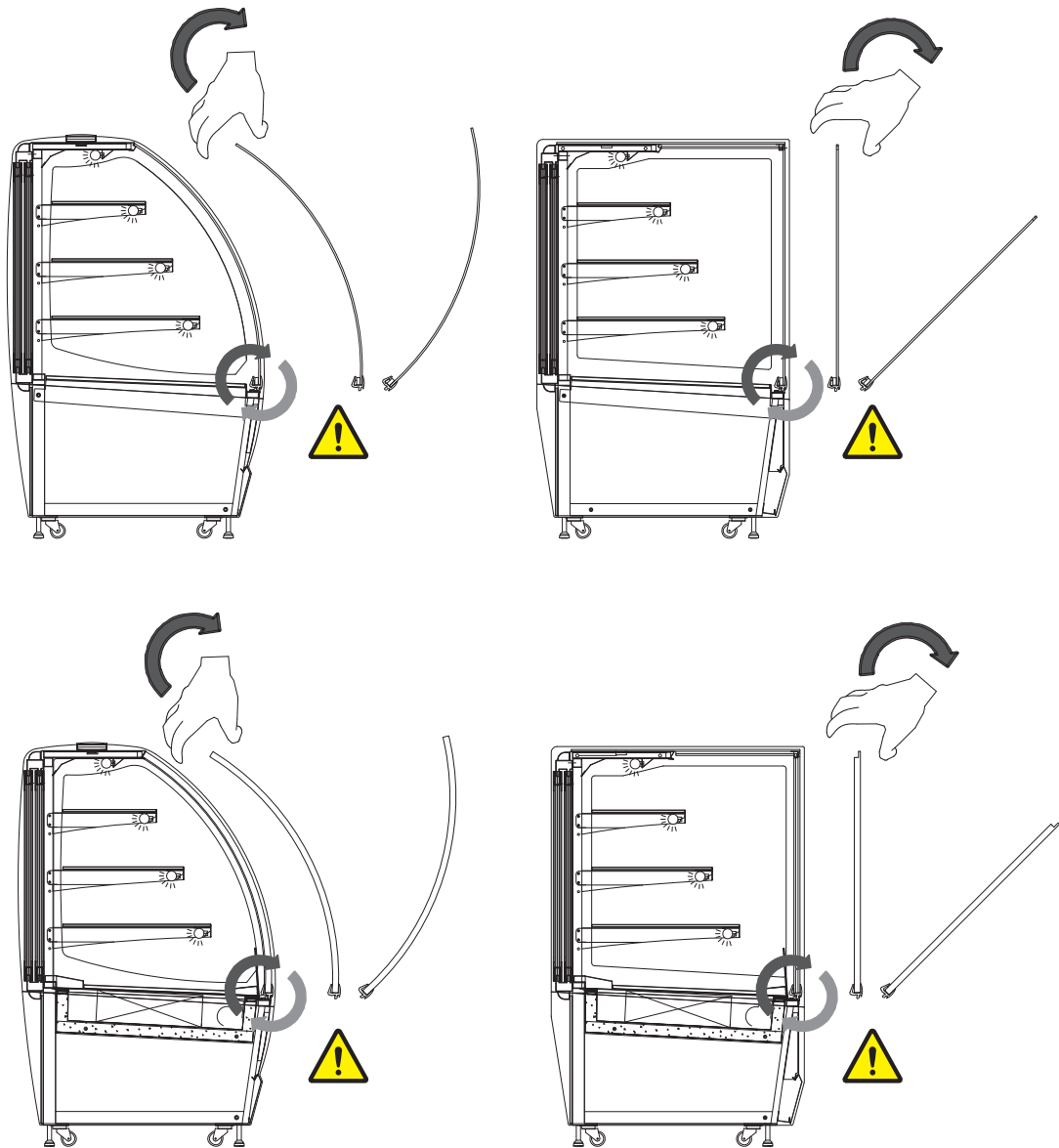


**RV LS**



## 11.8 GLASS FRONT OPENING

Open the front glass as shown in figure.



### Caution

The front glass has a limited front opening.

Absolutely do not force the opening beyond the limit allowed



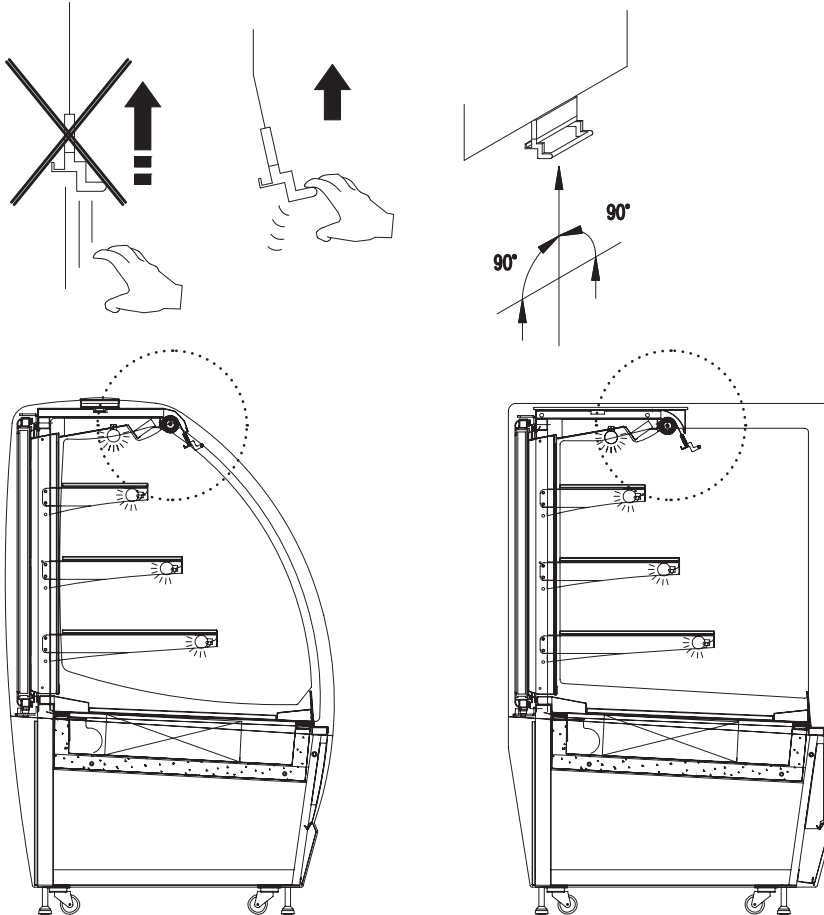
## 11.9 OPEN / CLOSE SELF ROLLING CURTAIN

Open / close the self rolling curtain as shown in figure.



### Caution

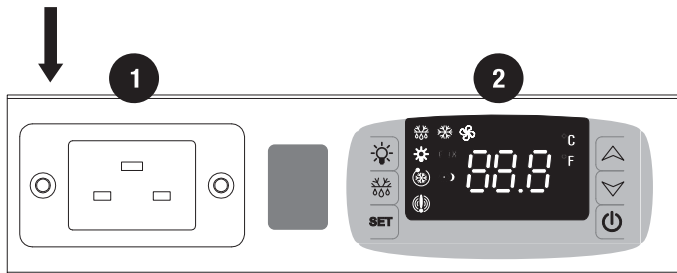
Scroll through the self rolling curtain without force and ensure complete / correct closure; not the complete / correct closure will cause the negatively affects performance of the equipment and on the excessive ice build-up on the inner walls.



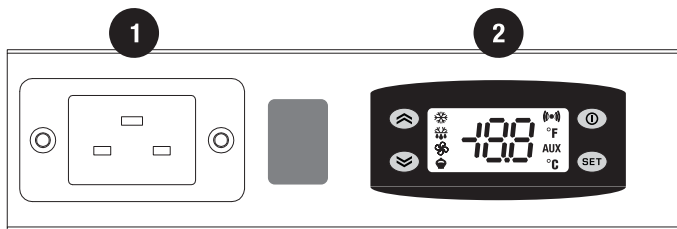
## 12. CONTROL PANEL



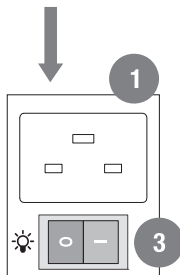
1	ELECTRICAL SOCKET
2	ELECTRONIC CONTROL UNIT
3	LIGHTING SWITCH



93	RV LS
93	RV VA
129	RV LS
129	RV VA

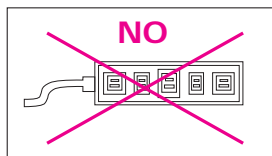
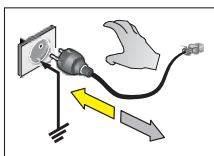


93	N VA
129	N VA



### STARTING

Press the master switch network.  
Plug the appliance in at the socket supplied by the customer, ensuring that the plug is fitted with an earth contact and that there are no multiple sockets connected to it; the equipment automatically starts.



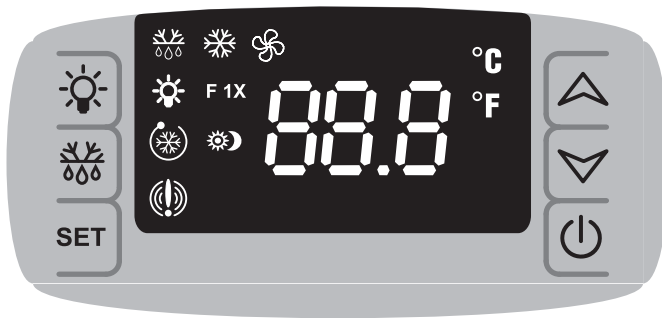
The appliance will start working automatically

otherwise press the 

### OFF

Press the button   
or disconnect the power supply plug.







## 12.1 USER INTERFACE - XR44CX



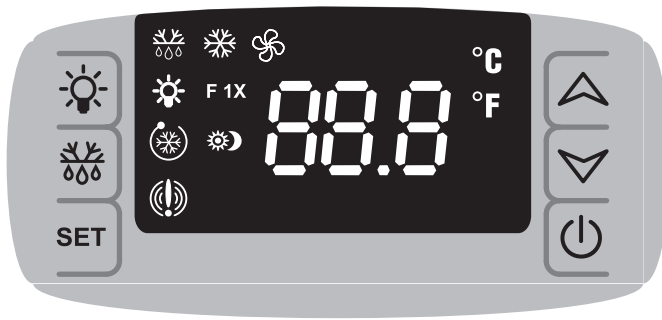
### Attention

The electronic control board is installed already programmed.  
Any changes to the control board settings can be carried out exclusively by qualified technical personnel.

### KEYS - SINGLE PRESS

	ON / OFF lighting.
	<b>SBR</b> To start a <b>manual defrosting cycle</b> , press for at least 2 seconds.
	To display or modify the set-point. Press and release the key to display the temperature. To go back to viewing the temperature set, wait 5 seconds or press the key again In programming mode, selects a parameter or confirms a value.
	<b>UP</b> In programming mode, scrolls the codes of the parameters or increases its value. Activates the Continuous Cycle function when present.  <b>MAXIMUM TEMPERATURE DISPLAY</b> Press and release the key (the "Hi" message will be displayed followed by the maximum temperature reached). Press the key or wait 5 seconds to go back to displaying normal temperature.
	<b>DOWN</b> In programming mode, scrolls the codes of the parameters or decreases its value. Activates the High and Low Humidity function when present.  <b>MINIMUM TEMPERATURE DISPLAY</b> Press and release the key (the "Lo" message will be displayed followed by the minimum temperature reached). Press the key or wait 5 seconds to go back to displaying normal temperature.
	Switches the instrument on or off.  Pressed for at least 2 seconds, it displays "OFF" In this configuration the loads and all adjustments are disabled; to take the instrument back to <b>ON</b> press again for at least 2 seconds.

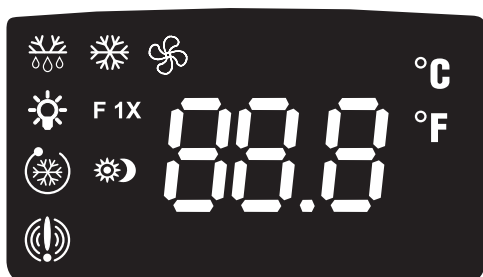
## 12.1 USER INTERFACE - XR44CX









### KEYS - COMBINED PRESSING

	<p>To block and release the keyboard.</p> <p><b>LOCK KEYBOARD</b> Hold both keys down for a few seconds until flashing “POF” appears. The keyboard is blocked. Only the set-point of the maximum and minimum temperature can be displayed. “POF” appears if a key is pressed for more than 3 seconds.</p> <p><b>UNLOCK KEYBOARD</b> Hold both keys down for a few seconds until flashing “POn” appears.</p>
	<p>To enter programming mode.</p>
	<p>To exit programming mode.</p>

## 12.1 USER INTERFACE - XR44CX











LED	MODE	MEANING
	On	Compressor/s active
	Flashing	Delay with close start-ups
	On	Defrosting in progress
	Flashing	Dripping in progress
	On	If the temperature alarm has occurred
	On	Continuous cycle in progress
	On	Energy saving in progress
°C / °F	On	Unit of measurement
	Flashing	Programming
	On	Fan/s ON
	Flashing	Fan/s OFF



## 12.2 USER INTERFACE - EW978







KEYS	
	<p><b>UP</b> Scrolls menu options. Increases the values. Activates manual defrosting.</p> <p><b>MANUAL ACTIVATION OF THE DEFROSTING CYCLE</b> To manually activate the defrosting cycle, press and hold the <b>UP</b> key for 5 seconds. If defrosting conditions are not present (for instance the temperature of the evaporator probe is higher than the temperature at the end of the defrosting process), the display will flash three (3) times to indicate that the operation will not be performed.</p>
	<p><b>DOWN</b> Scrolls menu options. Decreases the values. Press to turn on the internal lighting.</p>
	<p><b>STAND-BY (ESC)</b> Goes back up one level with respect to current menu. Confirms parameter value. Activates the Stand-by function. ON / OFF the equipment.</p>
	<p><b>SET (ENTER)</b> Accesses the Set-point. Accesses the programming menu. Confirm the commands.</p>

SETTING THE SET POINT	
	<p>Press the <b>SET (ENTER)</b> button and release immediately. The "Set" label will appear. To view the Set point value, press the <b>SET (ENTER)</b> button again. The Set-point value will appear on the display.</p>
	<p>To change the Set point value, press the <b>UP</b> and <b>DOWN</b> buttons within 15 seconds.</p>
	<p>To confirm the new Set-point value set, press the <b>SET (ENTER)</b> key again.</p>
	<p>By not operating on the keyboard for more than 15 seconds (time-out) or pressing the <b>STAND-BY (ESC)</b> key once, the last value displayed is confirmed and you go back to the previous display.</p>

## 12.2 USER INTERFACE - EW978



LED	
	<b>COMPRESSOR or RELAY 1</b> ON for compressor on. Flashing for delay, protection or blocked activation.
	<b>DEFROSTING</b> ON for defrosting in progress. Flashing for manual activation.
	<b>ALARM</b> ON for active alarm. Flashing for silenced alarm. Alarm conditions are always signalled by the buzzer (if present) and by the corresponding alarm icon LED. The alarm signal deriving from a faulty probe (probe 1) appears directly on the instrument display with the indication E1. The alarm signal deriving from a faulty evaporator probe (probe 2) appears directly on the instrument display with the indication E2.
	<b>FANS</b> ON for operating fans.

## 13. CLEANING

The materials listed below must be cleaned as follows:

<b>STAINLESS STEEL</b>	Only use warm water and non-aggressive detergents and then rinse and dry using a soft cloth.
<b>ACRYLIC OR POLYCARBONATE</b>	Wash with lukewarm water, using a soft cloth or a chamois cloth. Do not use abrasive cloths or sponges.
<b>CURVED GLASS</b>	Only use products specifically designed for cleaning glass. We do not recommend using tap water, which may leave calcium deposits on the surface of the glass.

### INTERNAL



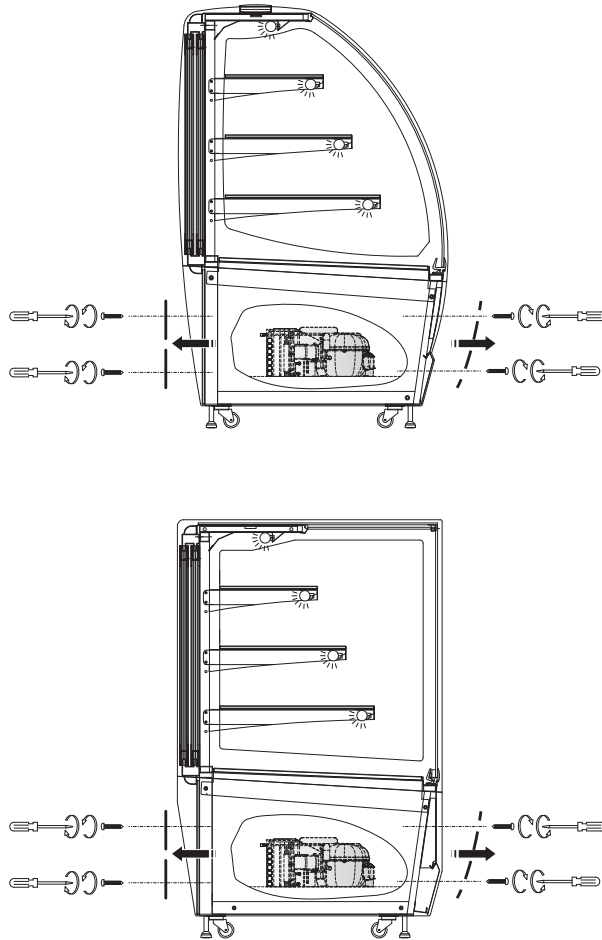
#### Caution

Do not scrape the ice from the walls with pointed tools, the surfaces will be ruined. Do not use high pressure appliances (e.g. steam generators).

1. Remove the product contained in the refrigerated compartment and place it immediately in a special refrigerator conservative to ensure proper storage.
2. Turn off the equipment.
3. Remove accessories manually removable (e.g.. Sliding, grills, ice cream containers, etc).
4. Wait at least 4 to 6 hours, until the ice on the evaporator has melted completely, before proceeding with cleaning operations. We suggest in this regard, you wait for the next day to make sure that the defrosting is completely done. Do not use mechanical devices or other means to accelerate the defrosting process, other than those recommended by the manufacturer.
5. Remove (if present) the drain plug of the tank bottom to drain the defrost water.
6. Clean the side panels and the bottom of the tank using a mild detergent, warm water and a cloth or sponge. Do not use sharp tools. Rinse thoroughly and dry with an absorbent cloth.
7. If the equipment was joined to a floor drain, slide lukewarm water containing a sanitizing solution suited to the specific application. The amount of solution to be used should be such as to ensure a perfect removal of any residual product and proper sanitation along the entire path of the drainage.
8. If the equipment is not joined to a floor drain, follow the procedure referred to above. The rinse water collected in the tank will be positioned inside the base of the apparatus. Clean and disinfect the collection tray.
9. Fit the accessories that were removed (step 3).
10. Turn on the equipment and allow to cool on the bench for at least 2 hours or until it reaches the desired temperature before reintroducing foods.

## 13. CLEANING

### CONDENSING UNIT



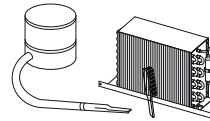
#### Caution



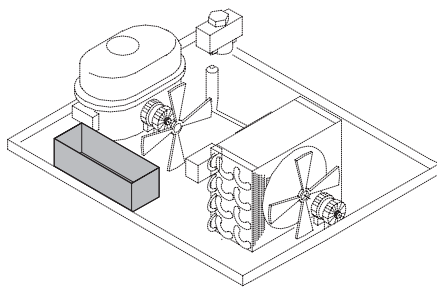
Turn off the product, wait a few hours until the equipment of the condensing unit has reached a temperature close to that of the environment.

Remove the screws fixing the protection grid (front and rear) and remove them as shown.

Clean the condensing unit using a suction brush. Clean the condenser with a soft bristle brush; make sure you do not bend the condensing unit springs whilst cleaning it.



### DEFROST WATER COLLECTION TRAY (IF PRESENT)



#### Caution



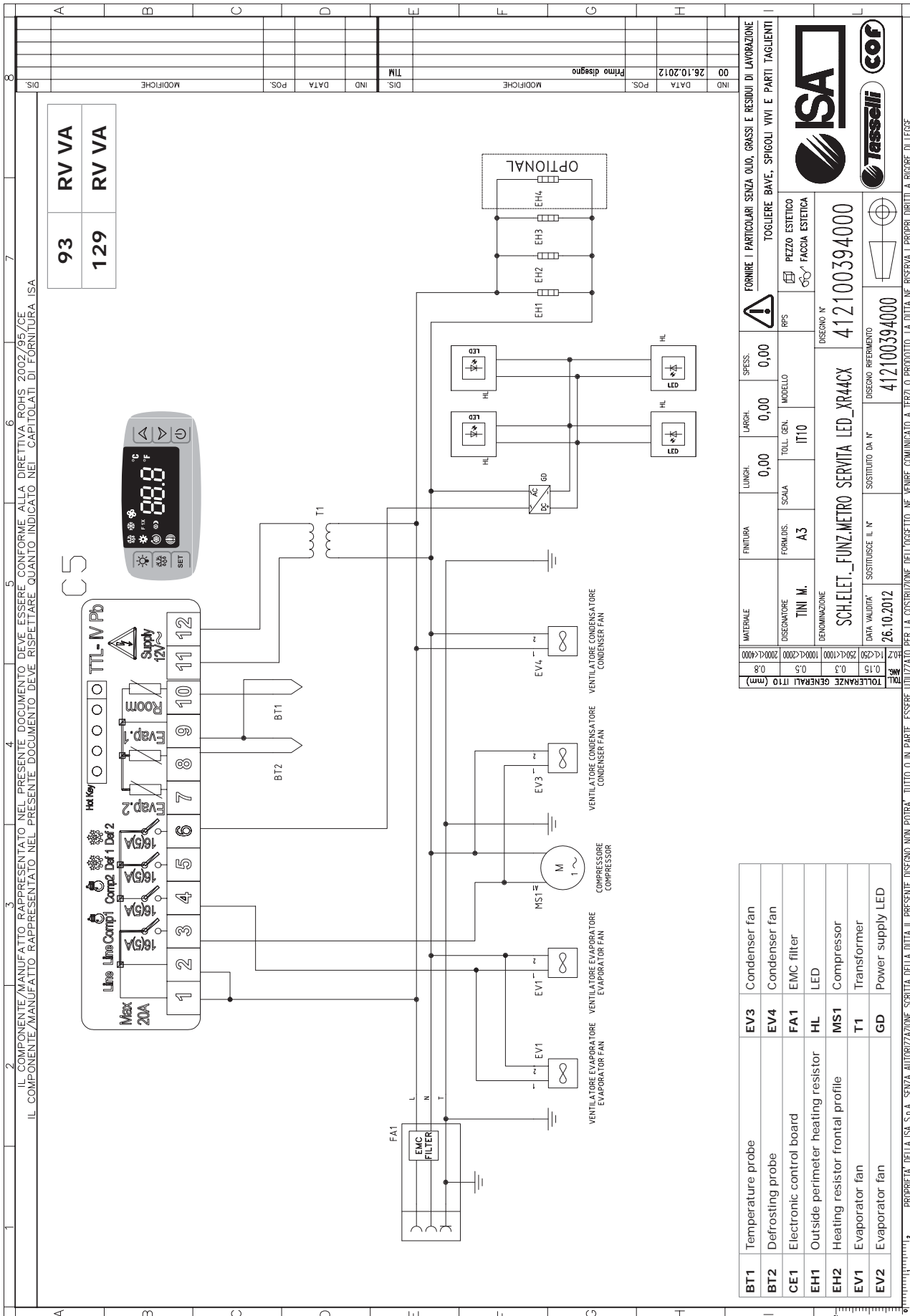
Clean based on use and as needed and in certain environmental conditions (e.g., high humidity, low environmental temperature, presence of dust, etc.) in order to avoid the incorrect and complete evaporation of the water and/or the presence of unpleasant odours.

Sanitise the tray with specific products.

## 14. PROLONGED APPLIANCE SWITCH-OFF

- Remove the product contained in the refrigerated compartment and place it immediately in a special refrigerator conservative to ensure proper storage.
- Open the equipment and wait for it to reach room temperature and then clean it.
- Leave the door/sliding panels open by 2-3 cm so as to guarantee circulation of the air and prevent the formation of mould and bad smells inside the appliance.
- The appliance, with or without the packaging, should be carefully stored inside warehouses or in areas away from the elements and direct sunlight, at a temperature between **0** and **+40** °C.

1 - WIRING DIAGRAM - 412100394000



TOGLIERE BAVE, SPIGOLI VIVI E PARTI TAGLIANTI  
 PEZZO ESTETICO  
 FACCA ESTETICA

**ISA**  
**Tasselli**  
**COF**

MATERIALE	FINITURA	LUNGH.	LARGH.	SPESS.	FORMIDIS.	SCALA	TOLL. GEN.	MODELLO	RFS	FORME I PARTICOLARI SENZA OLIO, GRASSI E RESIDUI DI LAVORAZIONE
08	200x400	0,00	0,00	0,00	A3	IT10	IT10			TOGLIERE BAVE, SPIGOLI VIVI E PARTI TAGLIANTI
DESEGNAZIONE	TINI M.	DESEGNO N°								
1000x2000	0,5	SCHLETT_FUNZ.METRO SERVITA_LED_XR44CX								
250x1000	0,15	DISGONO RIFERIMENTO								
1000x2000	0,15	412100394000								
250x1000	0,15	DISGONO RIFERIMENTO								
1000x2000	0,15	412100394000								
250x1000	0,15	DISGONO RIFERIMENTO								
1000x2000	0,15	412100394000								

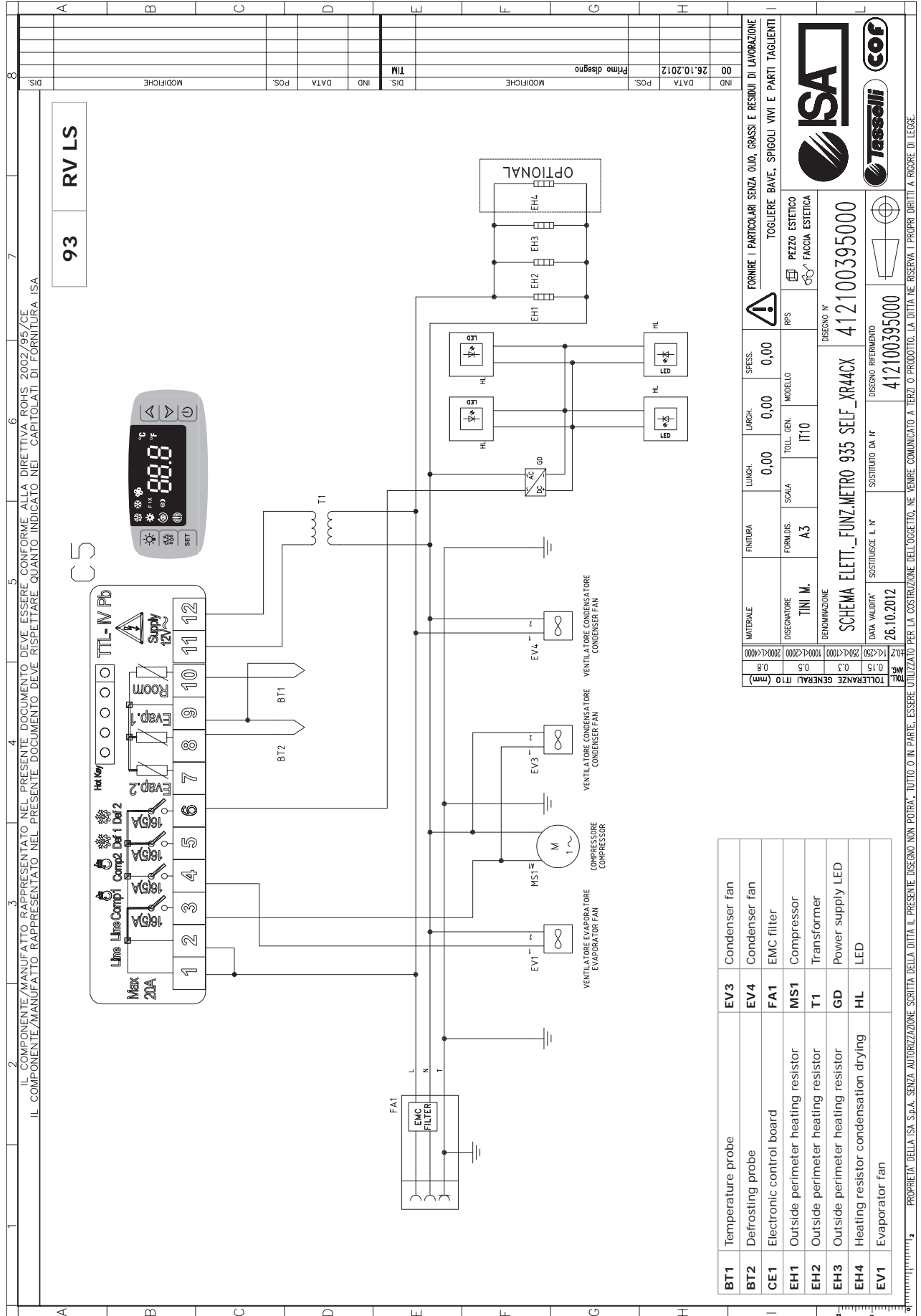
DATE	26.10.2012
PROPRIETA' DELLA ISA S.p.A. SENZA AUTORIZZAZIONE SCRITTA DELLA DITTA IL PRESENTE DISEGNO NON POTRA' TUTTO O IN PARTE, ESSERE UTILIZZATO PER LA COSTRUZIONE DELL'OGGETTO, NE VENIRE COMUNICATO A TERZI O PRODOTTO. LA DITTA NE RISERVA I PROPRI DIRITTI A RICORRE DI LEGGE.	

IL COMPONENTE/MANUFATTO RAPPRESENTATO NEL PRESENTE DOCUMENTO DEVE ESSERE CONFORME ALLA DIRETTIVA ROHS 2002/95/CE  
 IL COMPONENTE/MANUFATTO RAPPRESENTATO NEL PRESENTE DOCUMENTO DEVE RISPETTARE QUANTO INDICATO NEL CAPITOLATO DI FORNITURA ISA

DIS.	MODIFICHE	IND.	DATA	POS.
00	Primo disegno	TIM	26.10.2012	

93	RV VA
129	RV VA

2 - WIRING DIAGRAM - 412100395000



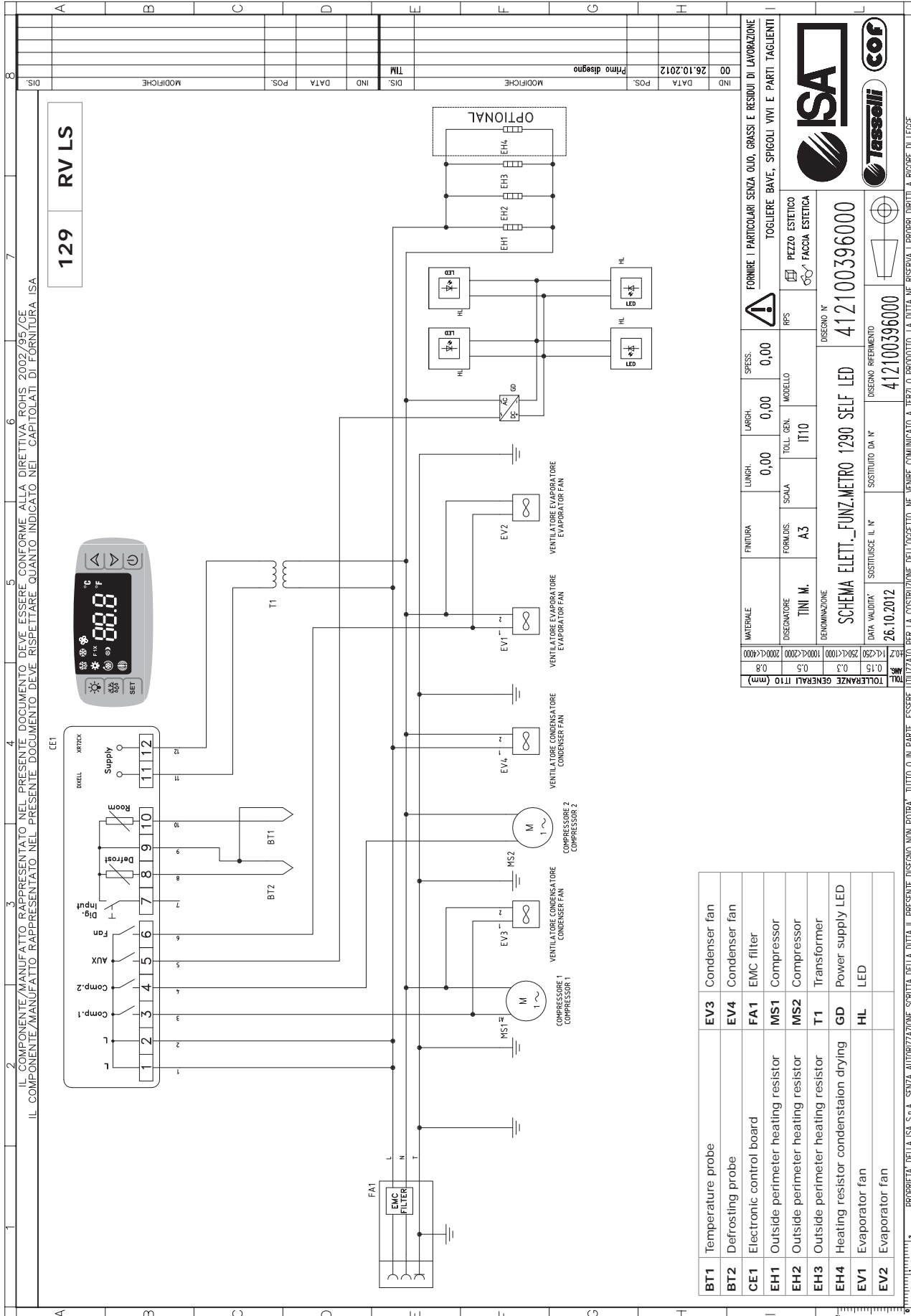
93 RV LS

1 IL COMPONENTE/MANUFATTO RAPPRESENTATO NEL PRESENTE DOCUMENTO DEVE ESSERE CONFORME ALLA DIRETTIVA ROHS 2002/95/CE  
 2 IL COMPONENTE/MANUFATTO RAPPRESENTATO NEL PRESENTE DOCUMENTO DEVE RISPETTARE QUANTO INDICATO NEL CAPITOLATO DI FORNITURA ISA  
 3  
 4  
 5  
 6  
 7  
 8

MATERIALE	FINITURA	LUNGH.	LARGH.	SPESS.	FORNIRE I PARTICOLARI SENZA OUDO, GRASSI E RESIDUI DI LAVORAZIONE
0094<4000		0,00	0,00	0,00	TOGLIERE BAVE, SPIGOLI VIVI E PARTI TAGLIENTI
0,8	FORMIDIS.	SCALA	TOLL. GEN.	MODELLO	RPS
0,5	TINI M.	A3	IT10		
0,3	DENOMINAZIONE	DESIGNO N°			
0,15	SCHEMA ELETT._FUNZ.METRO 935 SELF_XR44CX	412100395000			
0,2	DATA VALIDITA'	SOSTITUIRE IL N°	DESIGNO RIFERIMENTO		
26.10.2012		412100395000			
TOLLERANZE GENERALI IT10 (mm)	PROPRIETA' DELLA ISA S.p.A. SENZA AUTORIZZAZIONE SCRITTA DELLA DITTA IL PRESENTE DISEGNO NON POTRA' TUTTO O IN PARTE, ESSERE UTILIZZATO PER LA COSTRUZIONE DELL'OGGETTO, NE VENIRE COMUNICATO A TERZI O PRODOTTO. LA DITTA NE RISERVA I PROPRI DIRITTI A RIGORE DI LEGGE.				



3 - WIRING DIAGRAM - 412100396000

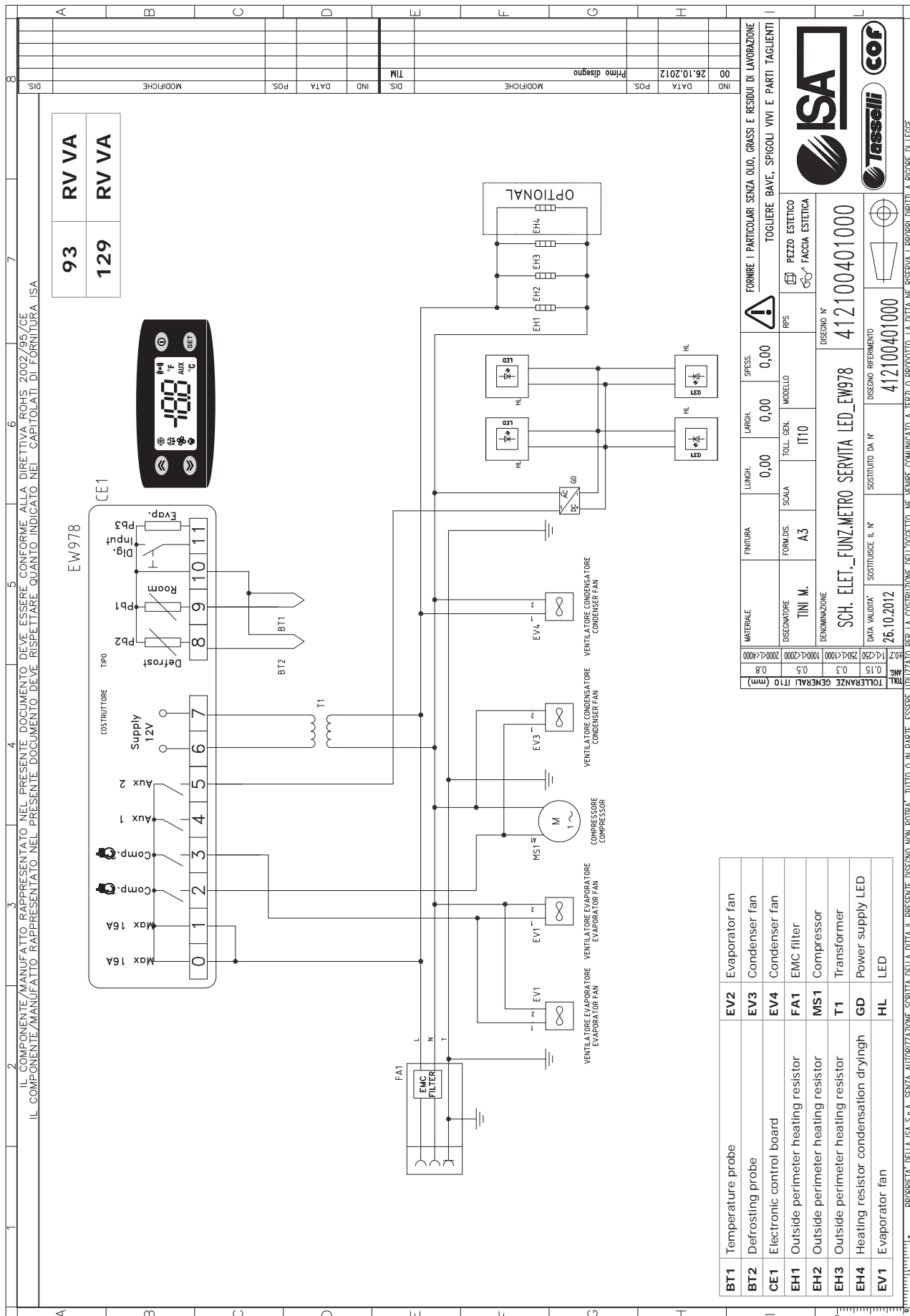


IND	00	DATA	26.10.2012	MODIFICHE	Primo disegno	DIS.	TIM	IND		DATA		POS.		MODIFICHE	
<p>FORME I PARTICOLARI SENZA OLIO, GRASSI E RESIDUI DI LAVORAZIONE                  TOGLIERE BAVE, SPIGOLI VIVI E PARTI TAGLIANTI</p>															
<p> </p>															
<p>                 DISEGNO N° <b>412100396000</b>                  SCHEMA ELETT._FUNZ.METRO 1290 SELF LED                  DISEGNO RIFERIMENTO <b>412100396000</b> </p>															
<p>                 TOLLERANZE GENERALI (T10) (mm)                  0.8                  0.5                  0.3                  0.15                  0.1             </p>															
<p>                 DATA VALIDITA' SOSTITUISCE IL N° <b>26.10.2012</b>                  SOSTITUISCE IL N° <b>412100396000</b>                  SOSTITUITO DA N°             </p>															
<p>                 DENOMINAZIONE <b>SCHEMA ELETT._FUNZ.METRO 1290 SELF LED</b>                  TINI M. <b>A3</b>                  FORMIDIS. <b>SCALE</b>                  SCALA <b>IT10</b>                  TOLL. GEN. <b>IT10</b>                  LARGH. <b>0,00</b>                  LUNGH. <b>0,00</b>                  SPESSE. <b>0,00</b>                  RPS <b>PEZZO ESTETICO</b>  <b>FACCA ESTETICA</b> </p>															

PROPRIETA' DELLA ISA S.p.A. SENZA AUTORIZZAZIONE SCRITTA DELLA DITTA IL PRESENTE DISEGNO NON POTRA' TUTTO O IN PARTE, ESSERE UTILIZZATO PER LA COSTRUZIONE DELL'OGGETTO, NE VENIRE COMUNICATO A TERZI O PRODOTTO. LA DITTA NE RISERVA I PROPRI DIRITTI A RIGORE DI LEGGE.



4 - WIRING DIAGRAM - 412100401000



DIS.	MODIFICHE	IND.	DATA	POS.	MODIFICHE	IND.	DATA	POS.	MODIFICHE	IND.	DATA	POS.

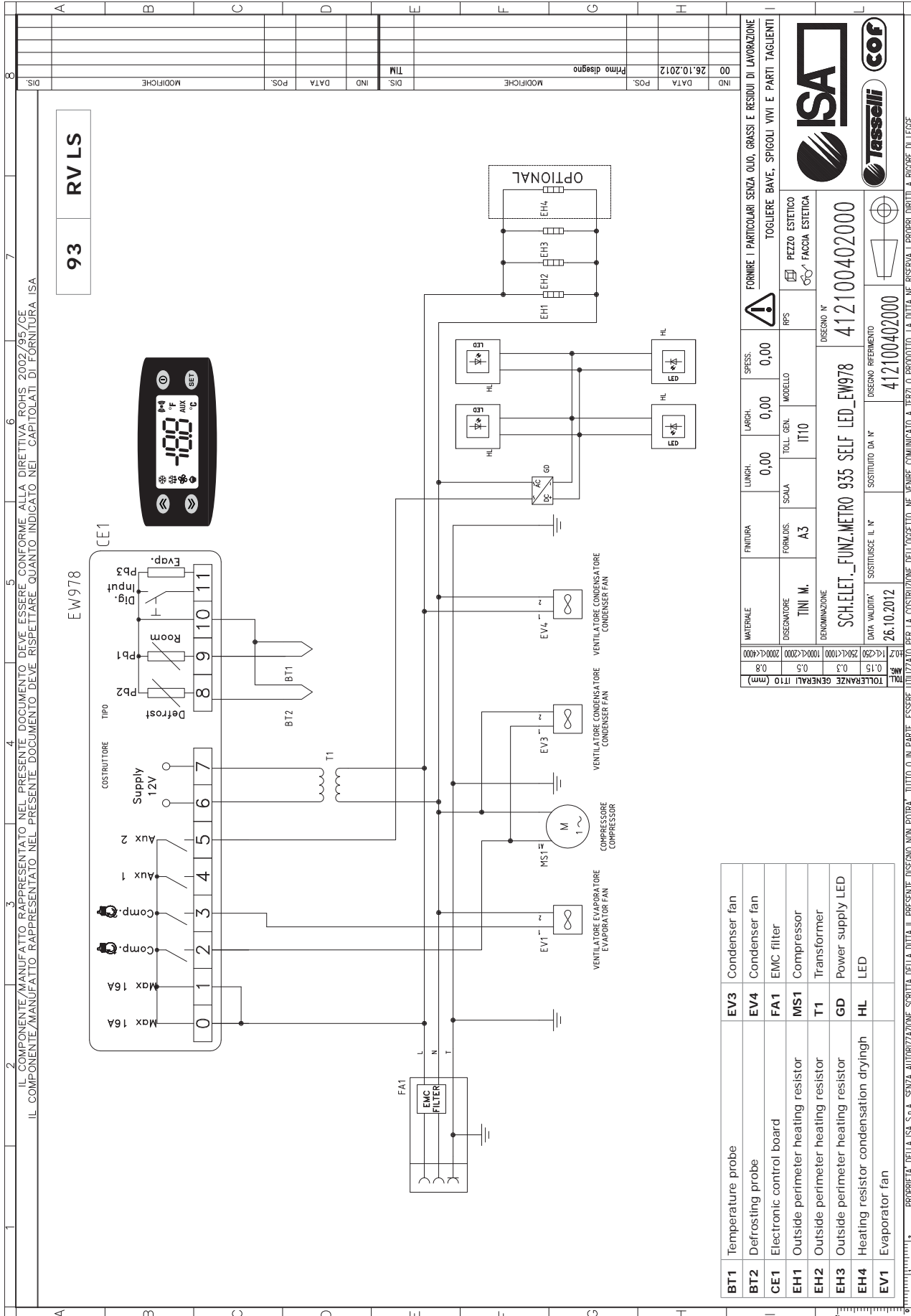
00	26.10.2012	Primo disegno											
----	------------	---------------	--	--	--	--	--	--	--	--	--	--	--

MATERIALE	FINITURA	LUNGH.	LARGH.	SPESS.	FORMAZIONE	SCALA	TOLL. GEN.	MODELLO	RPS	FORMARE I PARTICOLARI SENZA OIO, GRASSI E RESIDUI DI LAVORAZIONE TOGLIERE BAVE, SPIGOLI VIVI E PARTI TAGLIENTI		
0000		0,00	0,00	0,00	A3			IT10				
02		1000<(L<250	250<(L<1000	1000<(L<2000	2000<(L<4000							
0,15	0,3	0,5	0,8									
SCH. ELET._FUNZ.METRO SERVITA LED_EW978												
DISEGNO N° 412100401000												
DISEGNO RIFERIMENTO 412100401000												

DATA VALIDITA'	SOSTITUISCE IL N°	SOSTITUITO DA N°	DISEGNO RIFERIMENTO
26.10.2012			412100401000
TOLLERANZE GENERALI IT10 (mm)			
PROPRIETA' DELLA ISA S.p.A. SENZA AUTORIZZAZIONE SCRITTA DELLA DITTA IL PRESENTE DISEGNO NON POTRA' TUTTO O IN PARTE, ESSERE UTILIZZATO PER LA COSTRUZIONE DELL'OGGETTO, NE VENIRE COMUNICATO A TERZI O PRODOTTO. LA DITTA NE RISPRESA I PROPRI DIRITTI A RIGORE DI LEGGE.			



5 - WIRING DIAGRAM - 412100402000



<b>BT1</b>	Temperature probe	<b>EV3</b>	Condenser fan
<b>BT2</b>	Defrosting probe	<b>EV4</b>	Condenser fan
<b>CE1</b>	Electronic control board	<b>FA1</b>	EMC filter
<b>EH1</b>	Outside perimeter heating resistor	<b>MS1</b>	Compressor
<b>EH2</b>	Outside perimeter heating resistor	<b>T1</b>	Transformer
<b>EH3</b>	Outside perimeter heating resistor	<b>GD</b>	Power supply LED
<b>EH4</b>	Heating resistor condensation dry/ingh	<b>HL</b>	LED
<b>EV1</b>	Evaporator fan		

**FORNIRE I PARTICOLARI SENZA OLIO, GRASSI E RESIDUI DI LAVORAZIONE**

**TOGLIERE BAVE, SPIGOLI VIVI E PARTI TAGLIANTI**

**PEZZO ESTETICO**

**FACCA ESTETICA**

**ISA**

**Tasselli**

**COF**

**SCH.ELET.\_FUNZ.METRO 935 SELF LED\_EW978**

**412100402000**

**DESIGNO N°**

**DESIGNO RIFERIMENTO**

**412100402000**

**FORMIDIS.** A3

**SCALA** IT10

**TOLL. GEN.** 0,00

**LARGH.** 0,00

**SPESS.** 0,00

**MATERIALE**

**FRITURA**

**FORMIDIS.** A3

**TINI M.**

**DESIGNAZIONE**

**DESIGNO N°**

**412100402000**

**DATA VALIDITA'**

**SOSTITUISCE IL N°**

**26.10.2012**

**DESIGNO RIFERIMENTO**

**412100402000**

**TOLLERANZE GENERALI**

**TT10 (mm)**

**0,8**

**TT20 (mm)**

**0,5**

**TT30 (mm)**

**0,3**

**TT40 (mm)**

**0,15**

**TT50 (mm)**

**0,1**

**TT60 (mm)**

**0,05**

**TT70 (mm)**

**0,02**

**TT80 (mm)**

**0,01**

**TT90 (mm)**

**0,005**

**TT100 (mm)**

**0,002**

**TT110 (mm)**

**0,001**

**TT120 (mm)**

**0,0005**

**TT130 (mm)**

**0,0002**

**TT140 (mm)**

**0,0001**

**TT150 (mm)**

**0,00005**

**TT160 (mm)**

**0,00002**

**TT170 (mm)**

**0,00001**

**TT180 (mm)**

**0,000005**

**TT190 (mm)**

**0,000002**

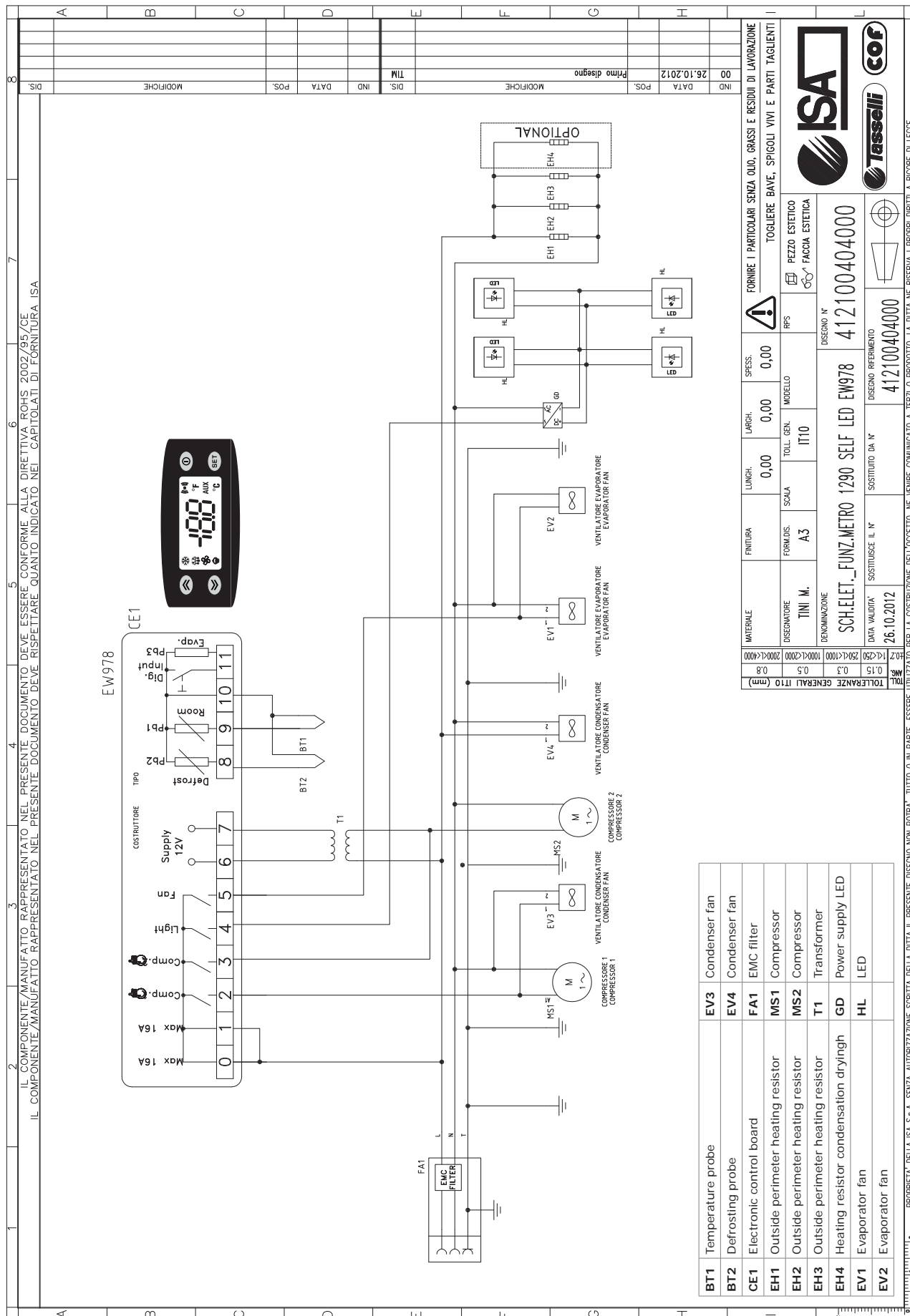
**TT200 (mm)**

**0,000001**

**PROPRIETA' DELLA ISA S.p.A. SENZA AUTORIZZAZIONE SCRITTA DELLA DITTA IL PRESENTE DISEGNO NON POTRA' TUTTO O IN PARTE, ESSERE UTILIZZATO PER LA COSTRUZIONE DELL'OGGETTO, NE VENIRE COMUNICATO A TERZI O PRODOTTO. LA DITTA NE RISERVA I PROPRI DIRITTI A RIGORE DI LEGGE.**



6 - WIRING DIAGRAM - 412100404000

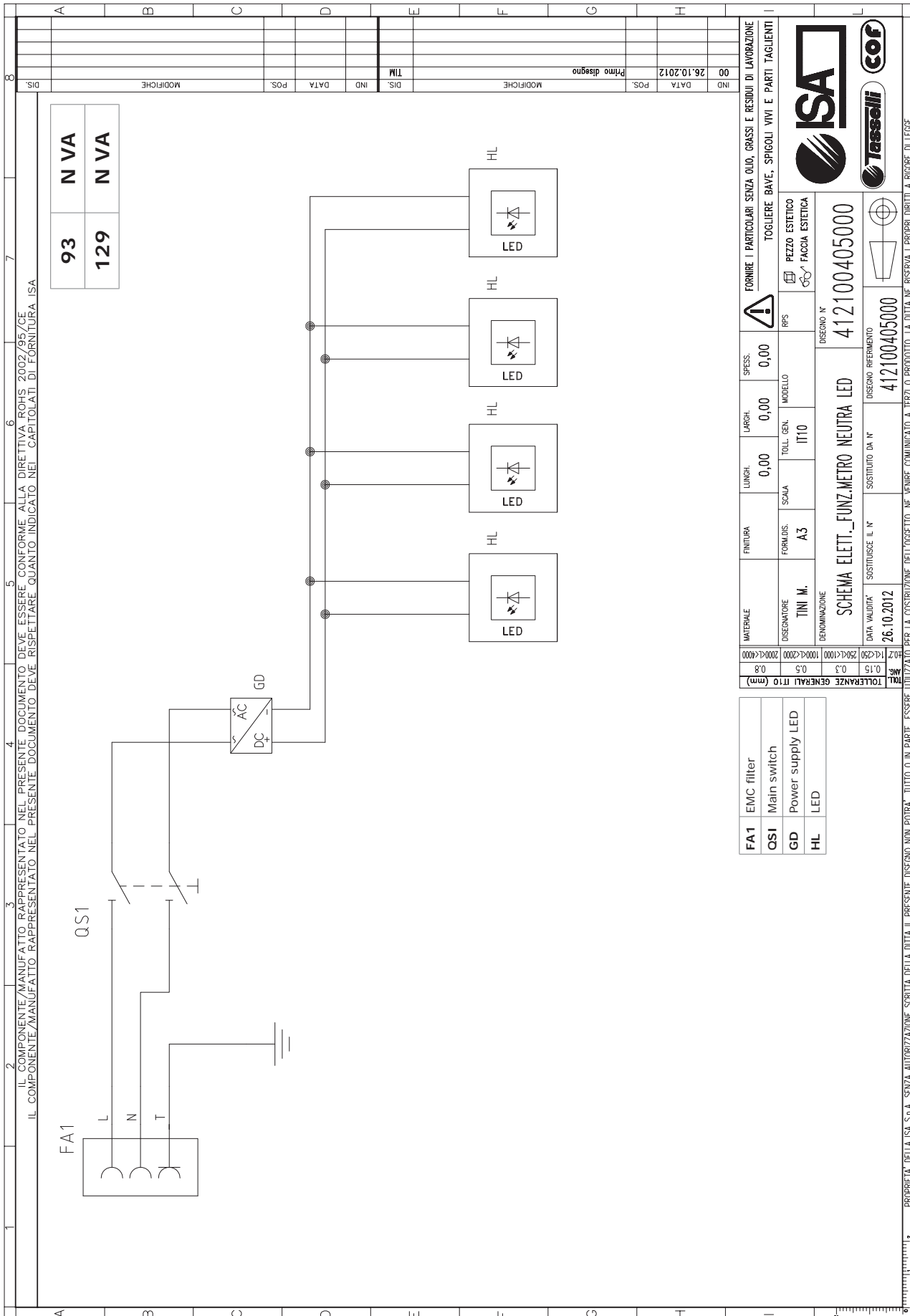


BT1	Temperature probe	EV3	Condenser fan
BT2	Defrosting probe	EV4	Condenser fan
CE1	Electronic control board	FA1	EMC filter
EH1	Outside perimeter heating resistor	MS1	Compressor
EH2	Outside perimeter heating resistor	MS2	Compressor
EH3	Outside perimeter heating resistor	T1	Transformer
EH4	Heating resistor condensation drying	GD	Power supply LED
EV1	Evaporator fan	HL	LED
EV2	Evaporator fan		



IL COMPONENTE/MANUFATTO RAPPRESENTATO NEL PRESENTE DOCUMENTO DEVE ESSERE CONFORME ALLA DIRETTIVA ROHS 2002/95/CE  
 IL COMPONENTE/MANUFATTO RAPPRESENTATO NEL PRESENTE DOCUMENTO DEVE RISPETTARE QUANTO INDICATO NEL CAPITOLO DI FORNITURA ISA

7 - WIRING DIAGRAM - 412100405000



IL COMPONENTE/MANUFATTO RAPPRESENTATO NEL PRESENTE DOCUMENTO DEVE ESSERE CONFORME ALLA DIRETTIVA ROHS 2002/95/CE  
 IL COMPONENTE/MANUFATTO RAPPRESENTATO NEL PRESENTE DOCUMENTO DEVE RISPETTARE QUANTO INDICATO NEL CAPITOLATO DI FORNITURA ISA  
 PROPRIETA' DELLA ISA S.p.A. SENZA AUTORIZZAZIONE SCRITTA DELLA DITTA IL PRESENTE DISEGNO NON POTRA' TUTTO O IN PARTE, ESSERE UTILIZZATO PER LA COSTRUZIONE DELL'OGGETTO, NE VENIRE COMUNICATO A TERZI O PRODOTTO. LA DITTA NE RISERVA I PROPRI DIRITTI A RIGORE DI LEGGE.







**ISA S.r.l.**

Via del Lavoro, 5

06083 Bastia Umbra

Perugia - Italy

Tel. +39 075 80171

Fax +39 075 8000900

**[www.isaitaly.com](http://www.isaitaly.com)**