

# MILLENNIUM ST/LX



Professional ventilated gelato display



Model LX 24



Model ST 24

ITEM No. \_\_\_\_\_

**Model options:**

(ST - STRAIGHT GLASS)

- MILLENNIUM ST 120
- MILLENNIUM ST 155
- MILLENNIUM ST 170
- MILLENNIUM ST 190
- MILLENNIUM ST 220

(LX - CURVED GLASS)

- MILLENNIUM LX 120
- MILLENNIUM LX 155
- MILLENNIUM LX 170
- MILLENNIUM LX 190
- MILLENNIUM LX 220

**Standard equipment:**

- Cool white LED lighting 5700 K°
- Work top - **Stainless steel**
- Front panel - **White** (RAL9003)
- Lower front grill - **Stainless steel**
- Side panels - **White** (RAL9003)
- Plexiglass sliding doors
- Swivel castors with brake & adjustable feet

**Optional extras:**

- 5 ltr standard napoli (S/S)
- 5 ltr wide napoli (S/S) (360x250x80h mm)
- Cone holder
- Scoop wash with tap
- Self rolling night curtain
- Dual temperature function (call for details)
- 1x Ambient shelf above main display area
- Remote refrigeration installation (call for details)
- Custom RAL panel colours (call for details)

**Features:**

- ◆ Gelato cabinets with ventilated refrigeration, finned evaporator and automatic reverse defrosting cycle.
- ◆ One piece body with ecological polyurethane insulation (HCFC & HFC free), foamed with CO2 60 mm thick.
- ◆ Display base and service top in bright stainless steel, rear panel in plastified sheet, external base in painted sheet. Upper structure with lateral profiles in carbon steel painted with black epoxy powder coating.
- ◆ External stratified side glass panel structure with anti-condensation heating system. The Millennium is available with either straight (ST) or curved (LX) glass.



**ENERGY SAVING**  
LED lights + EC fan motor



**REFRIGERATION**  
Ventilated



**DEFROST**  
Reverse cycle



**REFRIGERANT**  
R290



**INSTALLATION**  
Plug-In / Remote (optional)



**TEMPERATURE**  
-20 / +2 °C



**CLIMATE CLASS**  
7



Sistema di Qualità  
**ISO 9001**  
Cert. CISQ/CSQ 9130.TAIF



Sistema di Qualità  
**ISO 14001**  
Cert. CIS ECO ISO 9191.ISA3



**ISO 14064**



**Taylor UK** (a division of HTG Trading Ltd)  
106 Claydon Business Park, Gt. Blakenham,  
Ipswich, Suffolk, IP6 0NL, United Kingdom  
**0800 838 896 - sales@taylor-company.co.uk**  
**www.taylor-company.co.uk**

Due to continual research and development, these specifications are subject to change without notification - June 2019

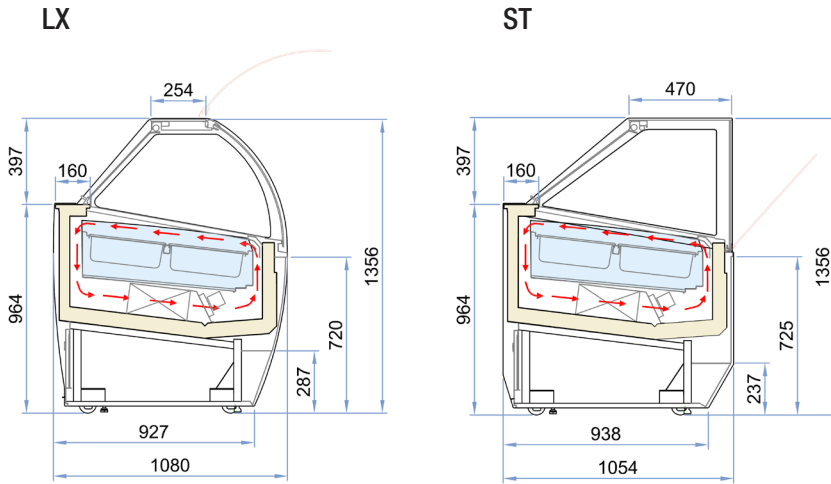
**MILLENNIUM ST/LX** – Professional ventilated gelato display - 12/16/18/20/24 flavour

# MILLENNIUM ST/LX



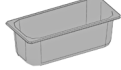
## Professional ventilated gelato display


Section view: (all dimensions in mm)



ITEM No. \_\_\_\_\_

### Napoli configuration:

	<b>5 ltr (STD)</b> 360 x 165 x 120(h) mm
	<b>Display</b>
Model 120	12
Model 155	16
Model 170	18
Model 190	20
Model 220	24

	<b>5 ltr (WIDE)</b> 360 x 250 x 80(h) mm
	<b>Display</b>
Model 120	8
Model 155	10
Model 170	12
Model 190	12
Model 220	16

MILLENNIUM ST/LX*	120	155	170	190	220
External dimensions (LxDxH) LX	1166 x 1080 x 1356 mm	1496 x 1080 x 1356 mm	1661 x 1080 x 1356 mm	1826 x 1080 x 1356 mm	2156 x 1080 x 1356 mm
External dimensions (LxDxH) ST	1166 x 1054 x 1356 mm	1496 x 1054 x 1356 mm	1661 x 1054 x 1356 mm	1826 x 1054 x 1356 mm	2156 x 1054 x 1356 mm
Net weight	200 kg	230 kg	260 kg	310 kg	360 kg
Refrigeration	Ventilated				
Refrigerant	R290				
Climate class	7				
Operating conditions	35 °C / 75 %RH				
Operating temperature range	-20 / +2 °C				
Product storage temperature	-16 / -14 °C				
Compressor (no. - type)	1 - Hermetic	2 - Hermetic			
Defrost process	Reverse cycle				
Power supply voltage	230v / 50hz / 1ph				
Electrical input (nominal)	1050 w / 5.1 A	1690 w / 8.3 A	1800 w / 8.9 A	1890 w / 9.3 A	1990 w / 9.8 A
Electrical input (defrost)	1400 w / 6.6 A	2340 w / 12.4 A	2450 w / 13.3 A	2560 w / 13.6 A	2640 w / 14.0 A



ISO 14064

\*Data for air cooled units. Water cooled and remote installations are available on request.



**Taylor UK** (a division of HTG Trading Ltd)  
106 Claydon Business Park, Gt. Blakenham,  
Ipswich, Suffolk, IP6 0NL, United Kingdom  
**0800 838 896 - sales@taylor-company.co.uk**  
**www.taylor-company.co.uk**

Due to continual research and development, these specifications are subject to change without notification - June 2019