

MagiKitch'n®

Model MKE Electric Griddle 24", 36", 48", and 60"



MKE36



STANDARD FEATURES

- 1" (2.5 cm) thick polished griddle plate
- Large 3.75 gallon grease box with splash zone compartment
- Wide 3-1/2" (8.9 cm) spatula wide front grease trough with fully welded grease chute
- Electric thermostat
- 5.7 kW/12", thermostatically controlled every 12".
- 4" legs (can be removed for flush mounting)
- Extra smooth 12 gauge back & side splash skirt finish for ease of cleaning
- Double walled and reinforced stainless steel sides with tapered back splash
- Solid panel cabinet base for flush mount capability
- Easy to remove cabinet back for easy cleaning
- No exposed fasteners allowing easy cleanup
- Incoloy sheathed elements pressure clamped to bottom of griddle plate
- ON/OFF SW with each temperature control

MODELS

- MKE24** (11.4 kW)
- MKE36**** (17.1 kW)
- MKE48**** (22.8 kW)
- MKE60**** (28.5 kW)

OPTIONS

- Solid State thermostat maintains temperature between 150°F and 550°F.
- Chrome griddle plate (includes scraper, spatula, Palmetto brush, and MagiKitch'n griddle cleaner)
- (208V OR 240V three phase only. 2 are required for MKE48, or 60)
- Grooving

ACCESSORIES

- Removable Griddle Divider
- Service Shelf available in 8", 10" or 12" depth
- Pan cutouts for 1/6 -1/9 pan on 10" or 12" shelf
- Towel bar with or without service shelf
- NSF approved, Stainless steel griddle stand with legs
- Stand with optional casters.
- 6 foot, 60 Amp cord(s) with NEMA 15-60P Plug.

CONTROLS

- Standard Electric thermostat maintains temperature between 200°F and 550°F.
- All temperature probes are embedded into the plate for faster response time and more accurate surface temperatures.

CERTIFICATIONS



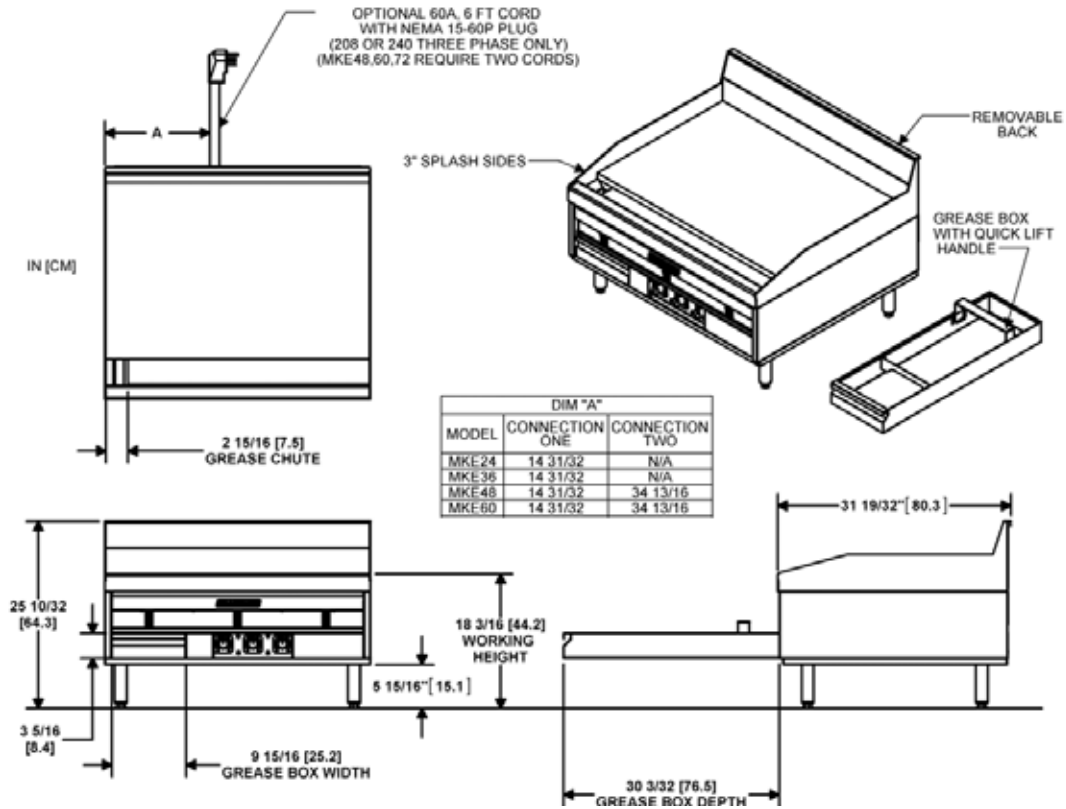
Project _____

Item No. _____

Quantity _____

MagiKitch'n

265 Hobson St., Smithville, TN 37166
P: 800-264-7827 | F: 314-781-5445 | W: magikitchn.com | Rev-7 8/20



DIM "A"		
MODEL	CONNECTION ONE	CONNECTION TWO
MKE24	14 31/32	N/A
MKE36	14 31/32	N/A
MKE48	14 31/32	34 13/16
MKE60	14 31/32	34 13/16

INDIVIDUAL GRIDDLE SPECIFICATIONS			SHIPPING INFORMATION (Approximate)				
Model	Cooking Area	Control #	Width	Grease Box	Shipping Weight	Shipping Crate Size L x W x H	Shipping Cube
MKE24	24 x 23-3/4 in (61x 60cm)	2	24" (61cm)	Left	368 Lbs (167kg)	24 x 40 x 42 in (61 x 102 x 107 cm)	31.5 ft ³ 0.9 m ³
MKE36	24 x 35-3/4 in (61x 90cm)	3	36" (91cm)	Left	578 Lbs (262 kg)	32 x 40 x 42 in (81 x 102 x 107 cm)	56.9 ft ³ 1.6 m ³
MKE48	24 x 47-3/4 in (61x 121cm)	4	48" (122cm)	Left	677 Lbs (307 kg)	46 x 42 x 52 in (117 x 107 x 132 cm)	56.9 ft ³ 1.6 m ³
MKE60	24 x 59-3/4 in (61x 151cm)	5	60" (152cm)	Left	1,025 Lbs (465 kg)	38 x 66 x 52 in (96.5 x 168 x 132 cm)	78.1 ft ³ 2.2 m ³

(1) MKE Griddle and Stands are shipped separately (consult factory for shipments with equipment stands)

ELECTRICAL REQUIREMENTS			Nominal Amps Per Line (50/60 hz)										
			Single Phase (2 wire+ground wire)				3 Phase (3 wire+ground wire)				3 Phase "Y" (4 wire+ground wire)		
Model	Total kW	Volts	200V	208V	220V	240V	200V	208V	220V	240V	380/220V	400/230V	415/240V
MKE24	11.4	MAX AMPS PER PHASE	52.7 (10.5 kW)	54.8	43.5 (9.6 kW)	47.5	30.4 (10.5 kW)	31.6	25.1 (9.6 kW)	27.4	14.6 (9.6 kW)	15.1 (10.5 kW)	15.9
MKE36	17.1		79.0 (15.8 kW)	82.2	65.3 (14.4 kW)	71.3	45.6 (15.8 kW)	47.5	37.7 (14.4 kW)	41.1	21.8 (14.4 kW)	22.7 (15.7 kW)	23.8
MKE48*	22.8		52.7 (21.1 kW)	54.8	43.5 (19.2 kW)	47.5	30.4 (21.1 kW)	31.6	25.1 (19.2 kW)	27.4	14.6 (19.2 kW)	15.1 (20.9 kW)	15.9
MKE60*	28.5		79.0 (26.3 kW)	82.2	65.3 (23.9 kW)	71.3	45.6 (26.3 kW)	47.5	37.7 (23.9 kW)	41.1	21.8 (23.6 kW)	22.7 (26.2 kW)	23.8

These models require Two Power Supplies

CLEARANCES								
Front min.	Bottom min.	Combustible material		Non-Combustible material				
30-1/8" (76.5 cm)	0"	Sides min.	Rear min.	Sides min.	Rear min.	Sides min.	Rear min.	
		NON-CE	2" (5.1cm)	6" (15.2cm)	0"	6" (15.2cm)		
		CE	6" (15.2cm)	6" (15.2cm)	0"	6" (15.2cm)		

SHORT FORM SPECIFICATION

Provide MagiKitch'n electric griddle. Griddle shall be a single 1" thick steel griddle top unit with no debris tapered splash back. Smooth 11 ga. sides with 3.5" (8.9cm) wide fully welded front grease trough and chute. Large 3.75gal (14ltr) grease box with quick lift handle. Stainless steel double panel sides and cabinet base. Provide Options & Accessories as follows:

MagiKitch'n

265 Hobson St., Smithville, TN 37166

P: 800-264-7827 | F: 314-781-5445 | W: magikitchn.com | Rev-7 8/20