

JOKER 6-23

with ST control and fresh steam system



HIGHLIGHTS

- **MODULARITY**
Configuration options based on actual requirements
- **CAPACITY**
Maximum use of space with minimum external dimensions, with a cavity 44 cm wide and 40 cm high
- **FLEXIBILITY**
Selectable control position, based on available space
- **DESIGN MODULE**
Form follows function.
Clean lines, clear touch screen, simple operation

JOKER 6-23 with ST control and fresh steam system

Device data

6-23	
Material	1.4301
Design module	according to DIN 18866
Protection class	IPX5
Device dimensions	
Control on top, stop on the left / right (WxDxH) [mm]	520 x 625 x 693
Control on the right / stop on the left / right (WxDxH) [mm]	650 x 625 x 560
Weight [kg]	70
Weight, with packaging [kg]	86
Capacity	
Number of inserts	5+1 x GN 2/3
Cavity volume [l]	65
Insert spacing [mm]	67

Electrical connection

6-23	
Voltage 200 V ... 230 V 1 NAC	
Power requirement [kW]	3.6
Rated current [A]	15.7
Fuse protection	1 x 16 A
Residual-current circuit breaker	Type B
Tripping current [mA]	30
Cable cross section (recommended) [mm ²]	1.5
Voltage 380 V ... 415 V 3 NAC	
Power requirement [kW]	5.8
Rated current [A]	8.4
Fuse protection	3 x 10 A
Residual-current circuit breaker	Type B
Tripping current [mA]	30
Cable cross section (recommended) [mm ²]	1.5

Heat output, heat emissions

6-23	
Heat, latent [MJ/h (kW)]	2.3 (0.6)
Heat, sensitive [MJ/h (kW)]	1.6 (0.4)
Noise [db (A)]	<70

JOKER 6-23 with ST module and fresh steam system

Setting up

Safety distance [mm]	rear	min. 50
	right	min. 50
	left	min. 50
Minimum clearance [mm]	to combi steamers, ovens, convection units	min. 50
	to deep fryers, open/hot fat/oil, heat sources, gas appliances	min. 1000

Water/Waste water

Soft water supply	
Water supply/dim [A]	2 x G 3/4"
Flow pressure [bar (kPa)]	2 - 6 (200 - 600)

Waste water connection	
Without cleaning	External siphon/connection
With hand shower	External siphon/connection
With autoclean® PRO	Permanent connection
Type	DN40 (min. inside dia.: 36 mm) for permanent connection
Drain line gradient [%]	min. 3

Soft water quality	
General requirement:	Drinking water
Total hardness	
[°dH]	≤ 3
[ppm]	70 - 125
[°TH]	7 - 13
[°e]	5 - 9
pH value	7.0 - 8.5
Cl (chlorine) [mg/l]	max. 60
Cl ₂ (free chlorine) [mg/l]	max. 0.2
SO ₄ ²⁻ (sulphate) [mg/l]	max. 150
Fe (iron) [mg/l]	max. 0.1
Temperature [°C]	max. 50
electrical conductivity [μS/cm]	20 - 90
Water pressure [bar]	4 (2 - 6)

Hard water quality	
General requirement:	Drinking water
Total hardness	
[°dH]	≤ 14
[ppm]	≤ 250
[°TH]	≤ 25
[°e]	≤ 18

Maximum water flow	
Soft water	
Without cleaning	0.3 l/min
With hand shower	0.3 l/min
With autoclean® PRO	0.3 l/min

JOKER 6-23 with ST module and fresh steam system

Maximum water flow

Hard water

Without cleaning	6.8 l/min
With hand shower (at 4 bar)	4.8 l/min
With autoclean® PRO:	6.8 l/min

Equipment

- 8 operating modes:
 - Steaming
 - Intensive steaming
 - Vario steaming
 - Convection
 - Combi-cooking
 - Low-temperature cooking
 - Delta-T cooking
 - Regenerating
- Twist knob
- 7" capacitive screen
- Inner and outer housing made of rustproof stainless steel
- IPX 5 (resistant to water jets)
- Seamless hygienic cooking chamber
- Adjustable air deflector
- Door with triple glazing and LED lighting
- Quick-action door closure
- Supply air/exhaust air
- Internal core temperature probe with 4 measuring points
- USB interface
- Frequency converter
- Manual cooking:
 - Temperature, adjustable between 30°C - 300°C - to the exact degree
 - Core temperature, adjustable between 20°C - 100°C - to the exact degree
 - Humidity can be exactly adjusted between 0 - 100%
 - Manual humidification
 - Time, adjustable up to 24 hours, including continuous operation
- Steptronic®
- Step overview
- Numeric memory function
- ADC - Active dehumidification in 5 stages
- Fan speed in 5 increments
- Cleaning & Care
 - semi-automatic cleaning
 - Drying phase freely selectable
 - The drying phase can be interrupted during the cleaning operations
- Timed fan speeds
- Preheat function with temperature specification, adjustable
- E/2 Energy saving function
- SPS® - Steam Protection System
- Timer function: Input of start and end time
- Display of actual/target temperature
- Changing settings during operation
- Stop Preheat during operation
- Programme list with 99 programs with 9 steps each
- Special programs:
 - Low-temperature cooking
 - Delta-T cooking
 - Regenerating
- Cool Down function: Auto-Temp (default setting for cooking and autoclean® PRO with liquid cleaner)
- Cool-down function active-temp adjustable (default setting for autoclean® PRO with solid detergent)
- Cool Down function: Adjustable Manual-Temp
- Settings & Service:
 - Language setting in 25 languages
 - Time and date setting
 - Keyboard setting: 6 different versions
 - Data and HACCP logging and display
 - Automated cleaning and maintenance notices
 - Sound manager
 - Program manager

JOKER 6-23 with ST module and fresh steam system

Additional module

Hand shower module

- Drying can be interrupted in standard equipment

autoclean® PRO module

- Cleaning & Care - fully automatic cleaning
- Available with liquid cleaner and solid detergent

Module Design

- Unit back cover
 - Unit storage (only with lateral control)
 - Unit colour*
- * Minimum order quantity: 10 devices

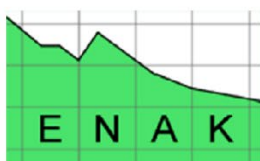
Device options

- Device feet
- Safety door latch
- Electric door latch for automatic door opening
- External core temperature probe
- External sous vide probe
- LAN
- WLAN
- Energy optimization connection
- Connection of potential-free contact to control third-party appliances (e.g. external extractor hoods)

Accessories

- Multi-Eco condensation hood
- Kombimix kits, base frames and Multi-Eco condensation hoods for Mix stations
- Various racks
- Base frames
- Various trays, grills and containers
- ProConnect

Approvals/test markings



* EnergyStar energy efficiency test only for JOKER 6-11

JOKER 6-23 with ST module and fresh steam system

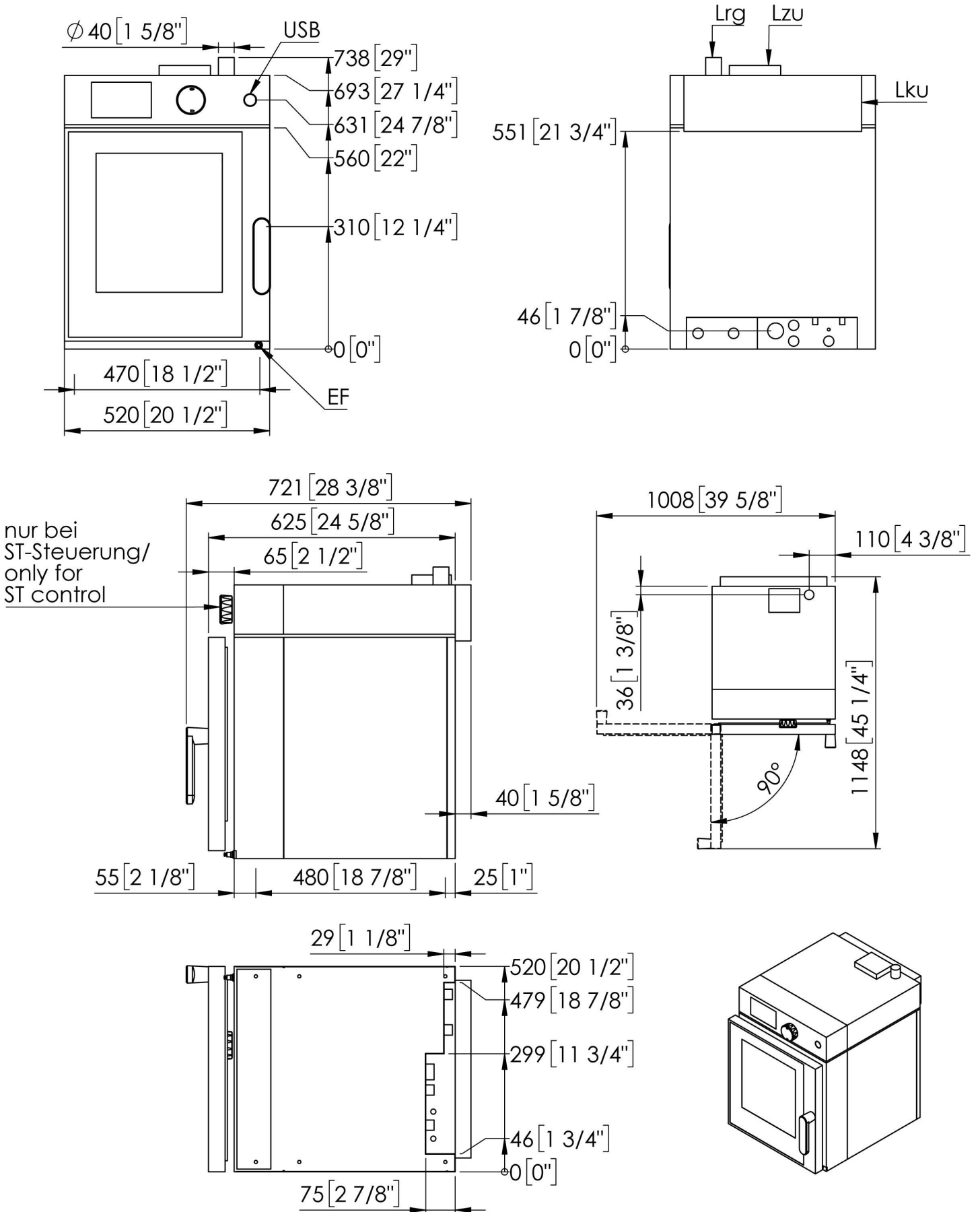
Dimensional drawings (all dimensions in mm [inches])

Key for dimensional drawings

Designation	Meaning
A	Waste water connection (DN40)
Lzu	Supply air opening
Lrg	Exhaust air pipe
Lku	Air intake duct for device cooling
EF	External sensor
USB	USB port

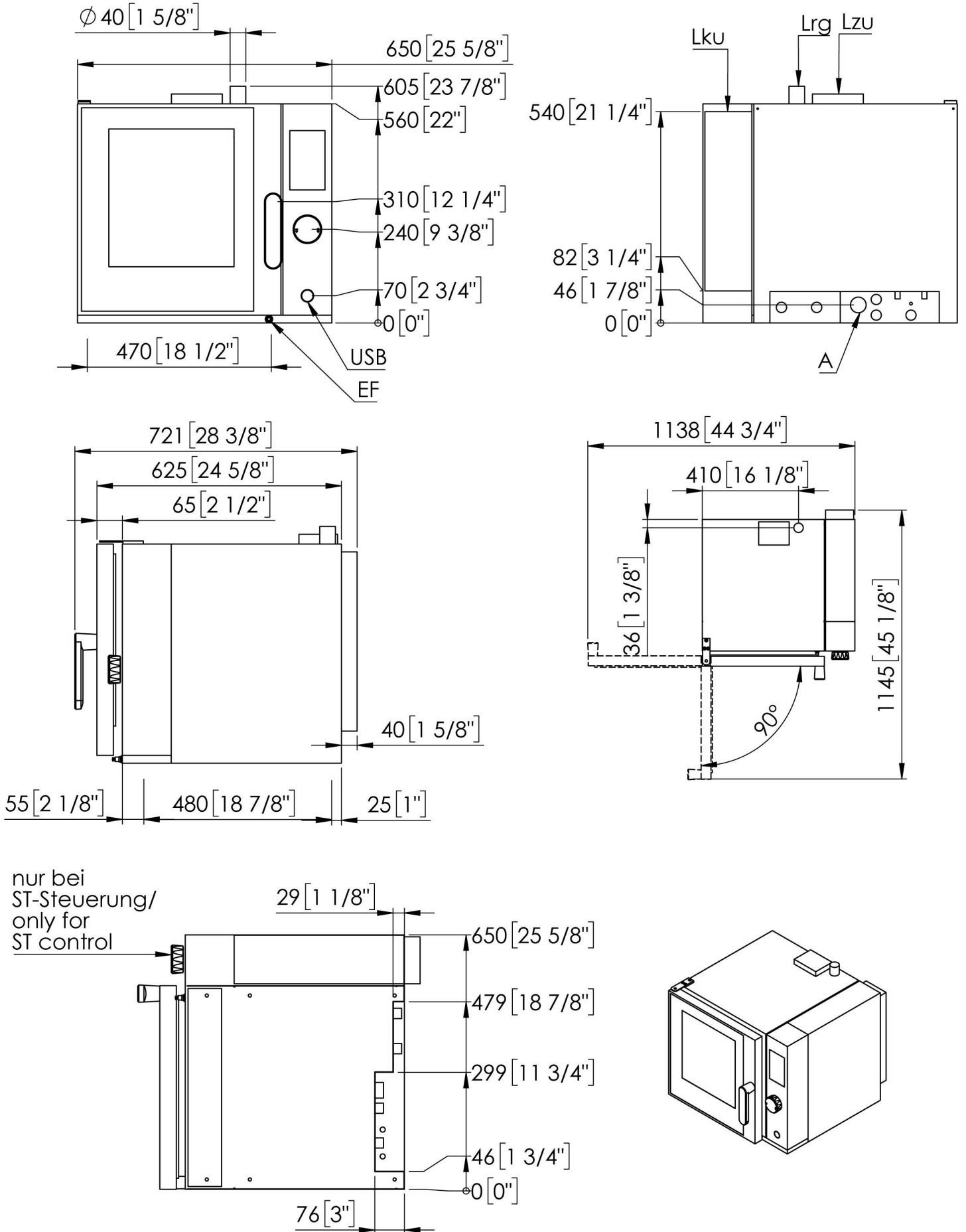
JOKER 6-23 with ST module and fresh steam system

Dimensioned drawing 6-23, door stop on the left, control on top



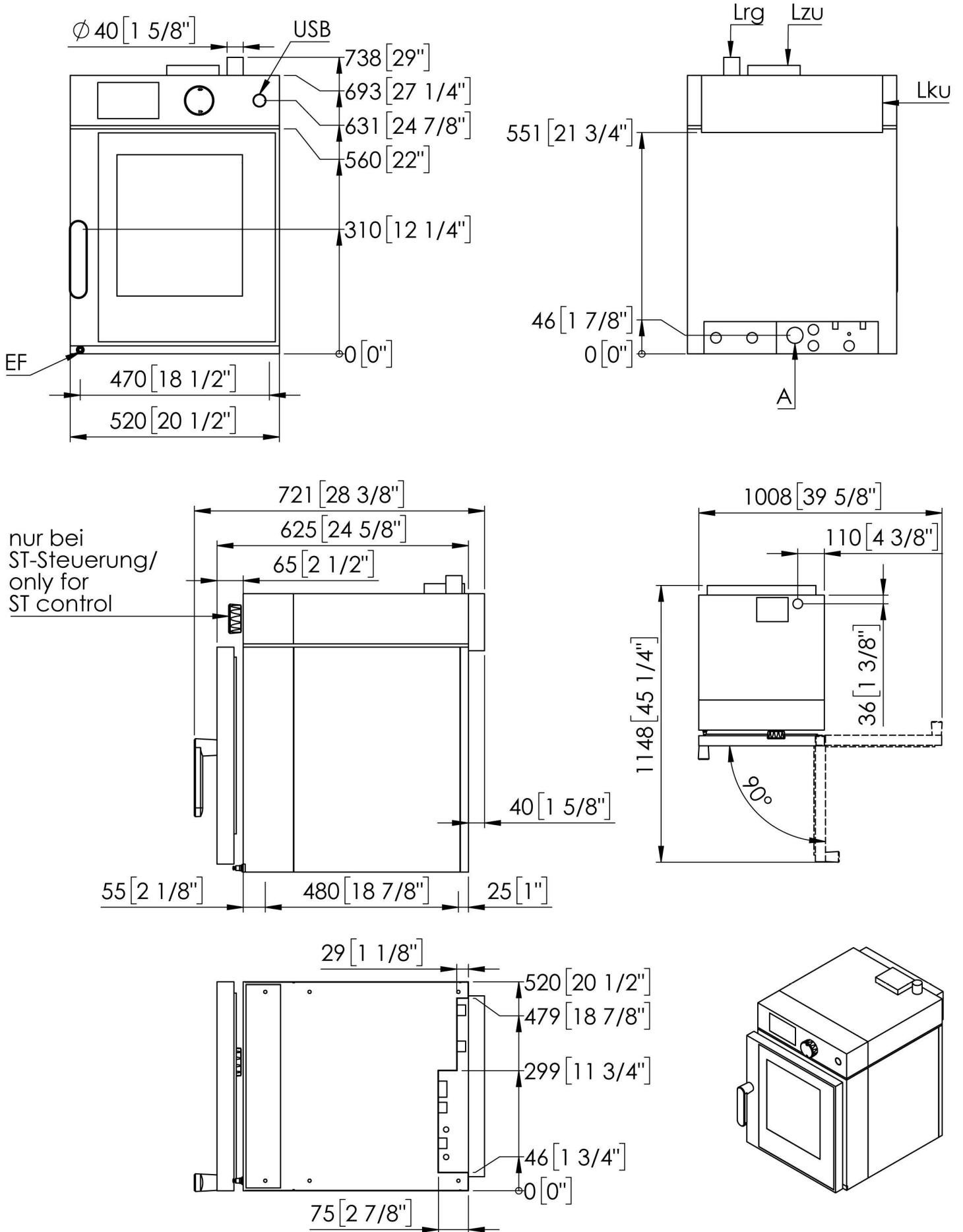
JOKER 6-23 with ST module and fresh steam system

Dimensioned drawing 6-23, door stop on the left, control on the right



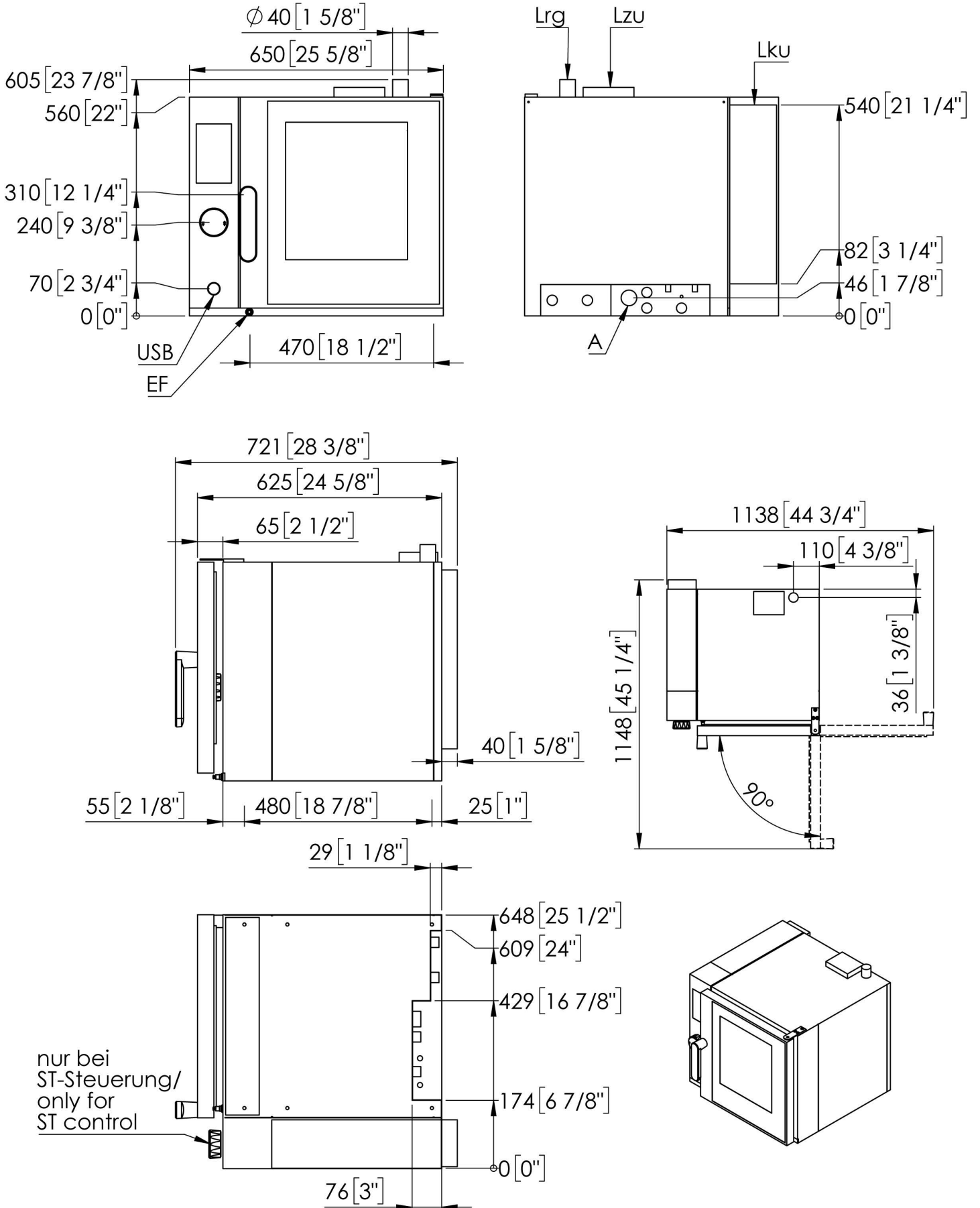
JOKER 6-23 with ST module and fresh steam system

Dimensioned drawing 6-23, door stop on the right, control on top



JOKER 6-23 with ST module and fresh steam system

Dimensioned drawing 6-23, door stop on the right, control on the left



JOKER 6-23 with ST module and fresh steam system

Connection diagram

Variants depending on the equipment Water module and Cleaning module (X yes,- no)

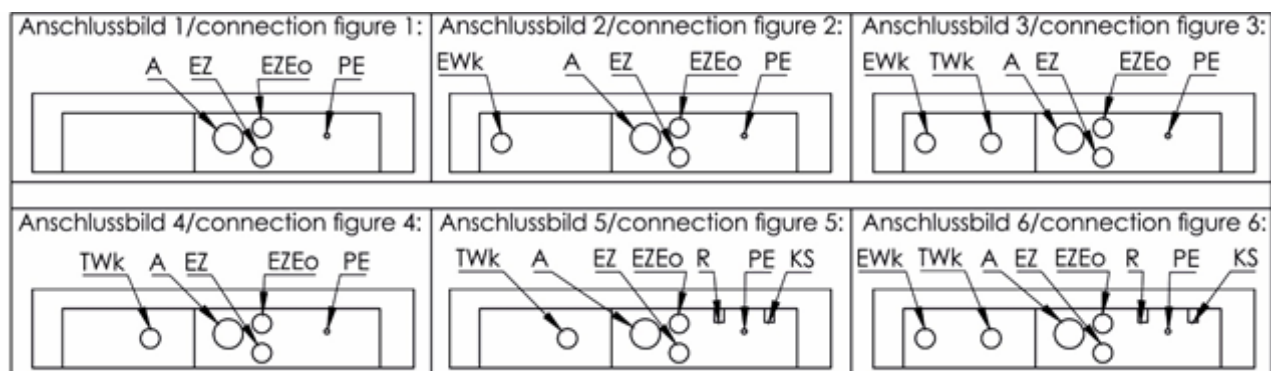
Variants depending on the equipment Water module and Cleaning module (X yes, - no)

Fresh steam system	Steam Injection	Hand shower hose spray nozzle	autoclean® PRO	connection figure
-	-	-	-	1
-	X	-	-	2
X	-	-	-	
X	-	X	-	3
-	X	X	-	
-	-	X	-	4
-	-	X	X	5
-	-	-	X	
X	-	-	X	
X	-	X	X	6
-	X	-	X	
-	X	X	X	

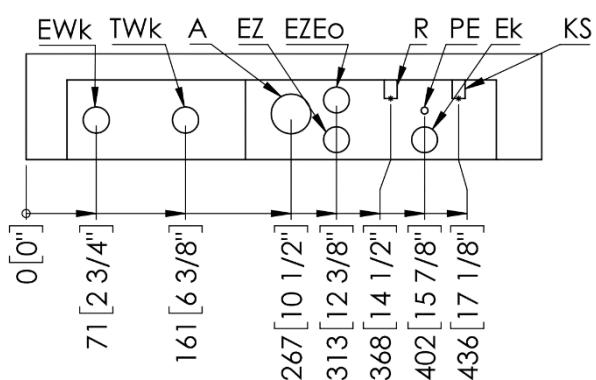
JOKER 6-23 with ST module and fresh steam system

Key for connection figures

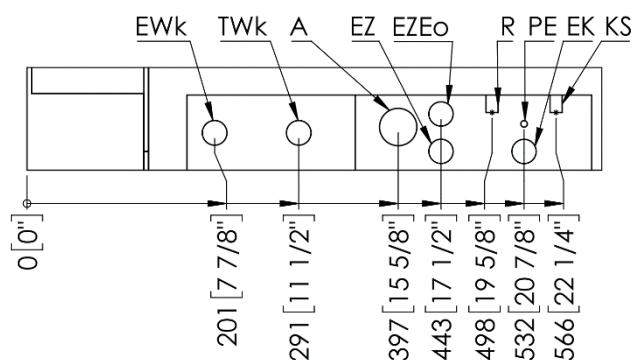
Designation	Meaning
A	Waste water connection (DN40) Connection for waste water line (Dn 1 5/8")
EWk	Connection for soft water
EF	external sensor
EZ	Power supply
EZEo	Power optimization
PE	Equipotential bonding connection Connection for potential equalization
TWk	Hard water connection Connection for hard water
R	Connection for cleaner
KS	Connection for rinse



Control top and right



Control left





Taylor UK
(A division of HTG Trading Ltd)
106 Claydon Business Park
Gt. Blakenham, Ipswich
IP6 0NL

EQUIPMENT SALES

0800 838 896
sales@taylor-company.co.uk
www.taylor-company.co.uk

TECHNICAL SERVICE

01473 350000
service@htgradng.co.uk



Eloma GmbH • Otto-Hahn-Str. 10 • 82216 Maisach/Germany
T. +49 8141 395-0 • F. +49 8141 395-130 • sales@eloma.com
eloma.com

an Ali Group Company



The Spirit of Excellence