

# JOKER 6-23

with ST control, fresh steam system and water tank module



## HIGHLIGHTS

- **MODULARITY**  
Configuration options based on actual requirements
- **CAPACITY**  
Maximum use of space with minimum external dimensions, with a cavity 44 cm wide and 40 cm high
- **FLEXIBILITY**  
Selectable control position, based on available space
- **DESIGN MODULE**  
Form follows function.  
Clean lines, clear touch screen, simple operation

## JOKER 6-23 with ST module, fresh steam system and water tank module

### Device data

| 6-23   |                 |
|--|-----------------|
| Material   | 1.4301          |
| Device dimensions  |                 |
| Control on top, stop on the left / right (WxDxH) [mm]        | 520 x 625 x 805 |
| Control on the right / stop on the left / right (WxDxH) [mm] | 650 x 625 x 672 |
| Weight [kg]  | 85              |
| Weight, with packaging [kg]                                  | 101             |

| 6-23                |              |
|---------------------|--------------|
| <b>Capacity</b>     |              |
| Number of inserts   | 5+1 x GN 2/3 |
| Cavity volume [l]   | 65           |
| Insert spacing [mm] | 67           |

### Electrical connection

| 6-23   |           |
|--|-----------|
| <b>Voltage 200 V ... 230 V 1 NAC</b>                 |           |
| Power requirement [kW]                               | 3.6       |
| Rated current [A]                                    | 15.7      |
| Fuse protection                                      | 1 x 16 A  |
| Residual-current circuit breaker                     | Type B 30 |
| Tripping current [mA]                                |           |
| Cable cross section (recommended) [mm <sup>2</sup> ] | 1.5       |
| <b>Voltage 380 V ... 415 V 3 NAC</b>                 |           |
| Power requirement [kW]                               | 5.8       |
| Rated current [A]                                    | 8.4       |
| Fuse protection                                      | 3 x 10 A  |
| Residual-current circuit breaker                     | Type B 30 |
| Tripping current [mA]                                |           |
| Cable cross section (recommended) [mm <sup>2</sup> ] | 1.5       |

### Heat output, heat emissions

| Type                        | 6-23      |
|-----------------------------|-----------|
| Heat, latent [MJ/h (kW)]    | 2.3 (0.6) |
| Heat, sensitive [MJ/h (kW)] | 1.6 (0.4) |
| Noise [db (A)]              | <70       |

### Setting up

|                        |  |           |
|------------------------|--|-----------|
| Safety distance [mm]   | rear   | min. 50   |
|                        | right  | min. 50   |
|                        | left   | min. 50   |
| Minimum clearance [mm] | to combi steamers, ovens, COMPACT PROs                         | min. 50   |
|                        | to deep fryers, open/hot fat/oil, heat sources, gas appliances | min. 1000 |

### Water tanks

| Fresh water tank                            |                 |
|---|-----------------|
| Capacity [l]                                | 6.5             |
| Maximum operating time at 100% humidity [h] | 1.5             |
| Material                                    | Stainless steel |

| Waste water tank |                 |
|------------------|-----------------|
| Capacity [l]     | 5               |
| Material         | Stainless steel |

| Water quality                                   |                |
|---|----------------|
| General requirement:                            | Drinking water |
| Total hardness [°dh]                            | ≤ 3            |
| [ppm]   | 70 - 125       |
| [°TH]   | 7 - 13         |
| [°e]  | 5 - 9          |
| pH value  | 7.0 - 8.5      |
| Cl (chlorine) [mg/l]                            | max. 60        |
| Cl <sub>2</sub> (free chlorine) [mg/l]          | max. 0.2       |
| SO <sub>4</sub> <sup>2-</sup> (sulphate) [mg/l] | max. 150       |
| Fe (iron) [mg/l]                                | max. 0.1       |
| Temperature [°C]                                | max. 40        |
| electrical conductivity [µS/cm]                 | 20 - 90        |

### Approvals, marks of conformity

|                            |                    |
|----------------------------|--------------------|
| Design module              | as per DIN 18866-2 |
| Manufacturer's certificate | CE conformity      |
| Protection class           | IPX5               |

## JOKER 6-23 with ST module, fresh steam system and water tank module

### Equipment

- 8 operating modes
- 7" capacitive screen
- Rotary encoder
- USB interface
- Internal core temperature probe with 4 measuring points
- Supply air/exhaust air
- Frequency converter
- LED/triple glazing
- Quick-action door closure
- Adjustable air deflector
- Inner and outer housing made of rustproof stainless steel
- Seamless hygienic cooking chamber
- IPX 5

#### Manual cooking

- Temperature, adjustable between 30°C - 300°C - to the exact degree
- Humidity can be exactly adjusted between 0 - 100%
- Time, adjustable up to 24 hours, including continuous operation
- Core temperature, adjustable between 20°C - 100°C - to the exact degree
- Manual humidification
- Steptronic®
- Step overview
- Numeric memory function
- ADC - Active dehumidification in 5 stages
- Fan speed in 5 increments
- Timed fan speeds
- Preheat function with temperature specification
- E/2 Energy saving function
- SPS® - Steam Protection System
- Timer function: Start time input up to 24 hours
- Display of actual/target temperature
- Changing settings during operation
- Stop Preheat during operation

Programme list with max. 99 programs, with 9 steps each

Cool Down function: Auto-Temp (default setting)

Cool Down function: Adjustable Manual-Temp

Special programs:

- Low-temperature cooking
- Delta-T cooking
- Regenerating

Cleaning & Care - manual cleaning supported

#### Settings & Service:

- Language setting in 25 languages
- Time and date setting
- Data and HACCP logging and display
- Automated cleaning and maintenance notices
- Sound manager
- Program manager
- Setting options

## JOKER 6-23 with ST module, fresh steam system and water tank module

### Additional module: Design module

- Unit back cover
- Unit colour\*  
\* Minimum order quantity: 10 devices

### Device options

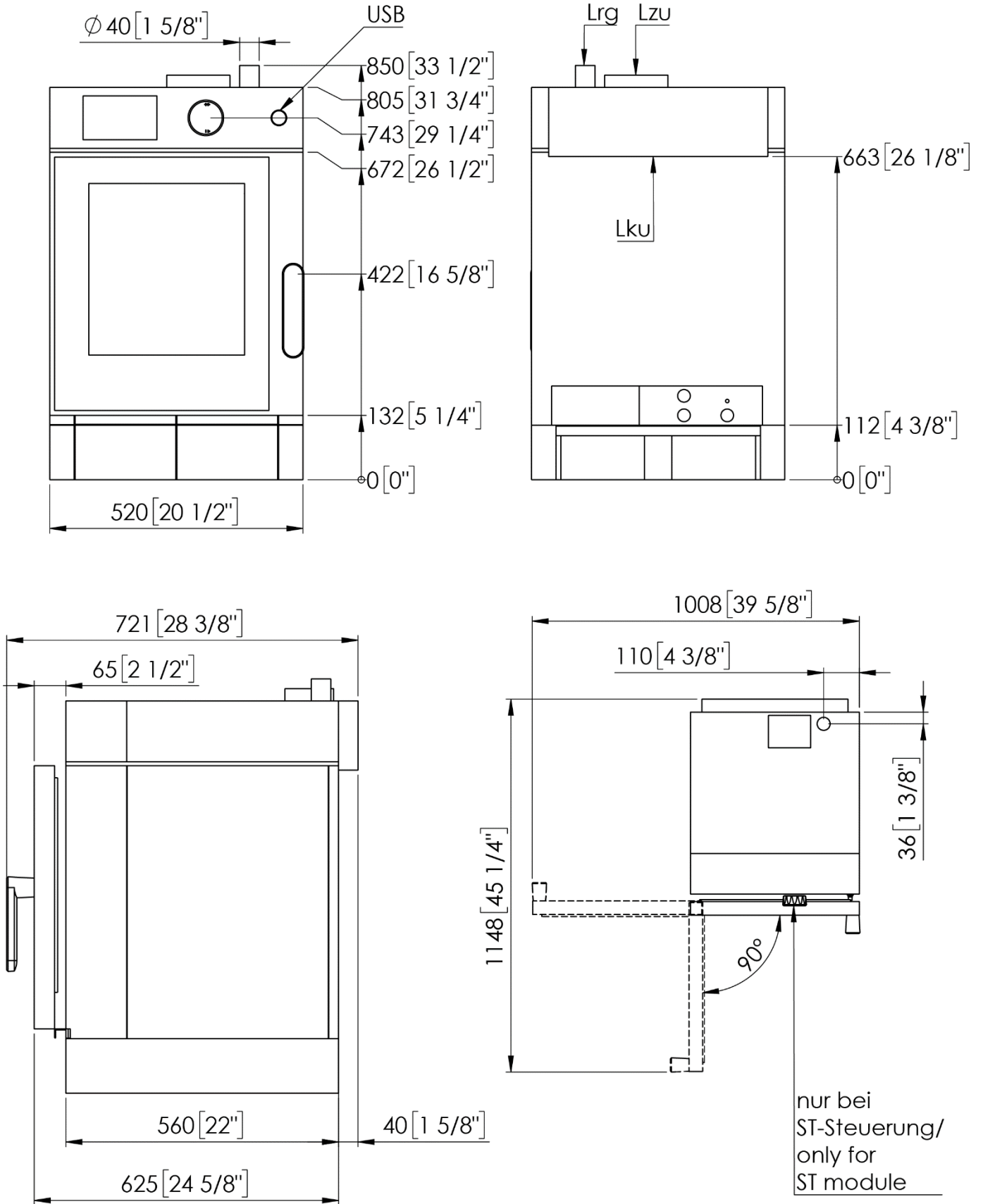
- Device feet
- Safety door latch
- Electric door latch
- External core temperature probe
- LAN
- WLAN
- Energy optimization connection
- Connection of potential-free contact to control third-party appliances (e.g. external extractor hoods)
- Special voltages

### Accessories

- Multi-Eco condensation hood
- Kombimix kits, base frames and Multi-Eco condensation hoods for Mix stations
- Various racks
- Base frames
- Various trays, grills and containers
- ProConnect

**JOKER 6-23 with ST module, fresh steam system and water tank module**

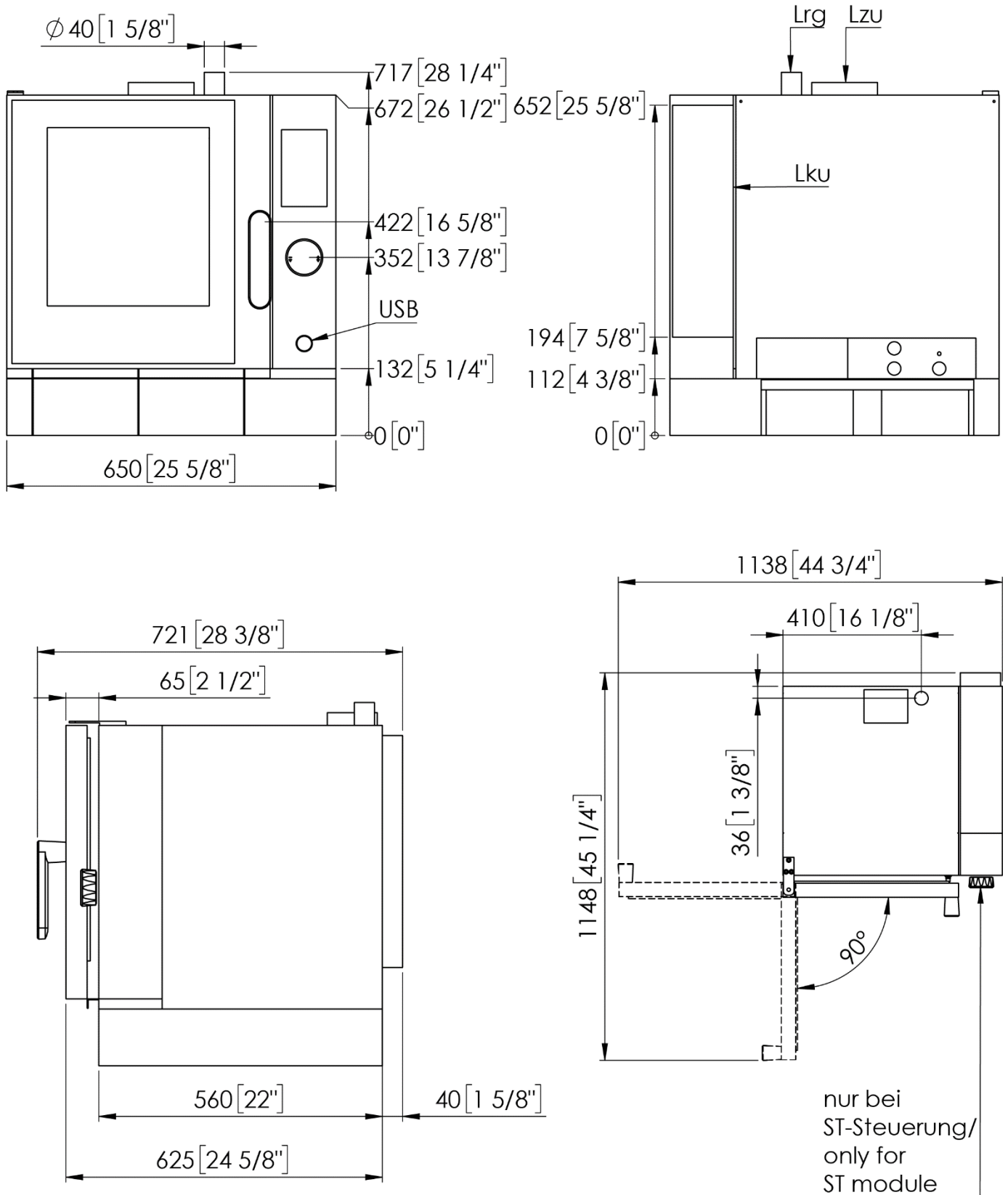
**Dimensioned drawing 6-23, door stop on the left, control on top**



- Lzu Zuluftöffnung / Supply air opening
- Lku Luftansaugschacht Gerätekühlung/  
Air intake for cooling
- Lrg Abluftrohr / Exhaust air pipe
- USB USB-Buchse / USB port

**JOKER 6-23 with ST module, fresh steam system and water tank module**

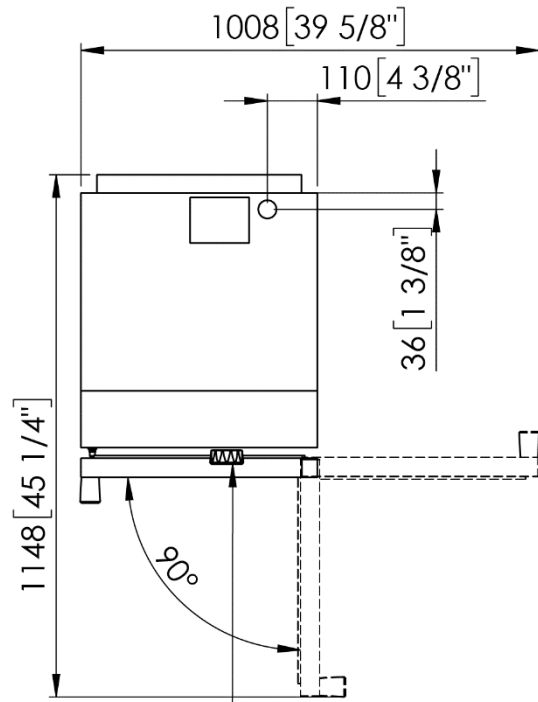
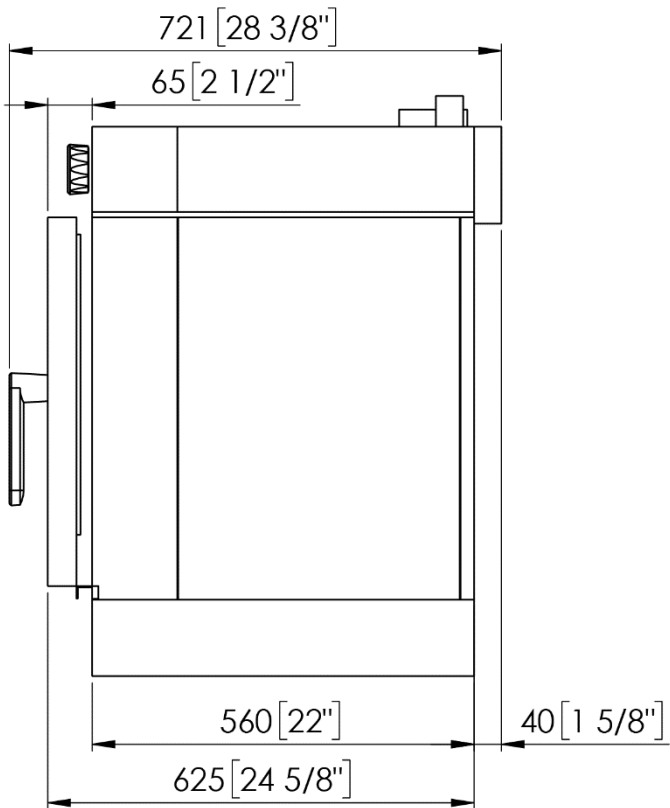
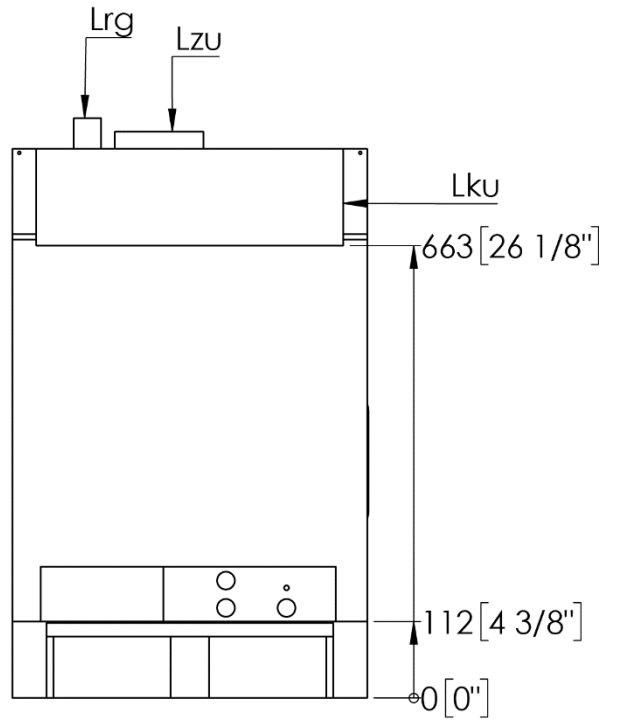
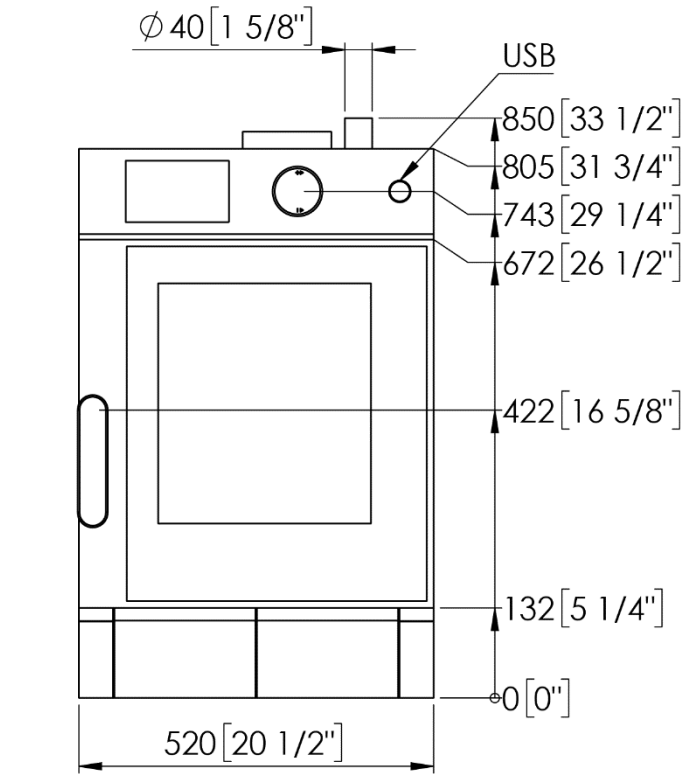
**Dimensioned drawing 6-23, door stop on the left, control on the right**



- Lzu Zuluftöffnung / Supply air opening
- Lku Luftansaugschacht Gerätekühlung/  
Air intake for cooling
- Lrg Abluftrohr / Exhaust air pipe
- USB USB-Buchse / USB port

**JOKER 6-23 with ST module, fresh steam system and water tank module**

**Dimensioned drawing 6-23, door stop on the right, control on top**

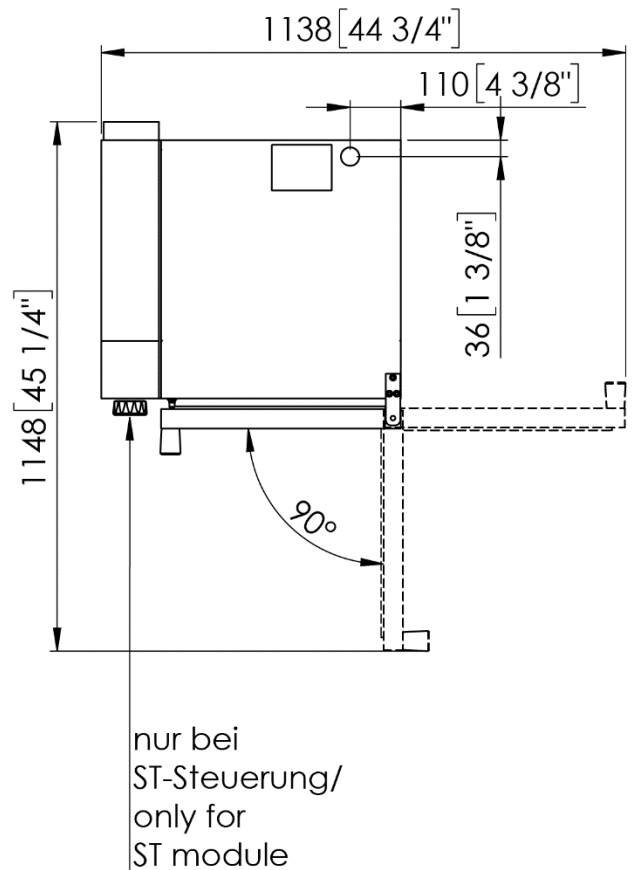
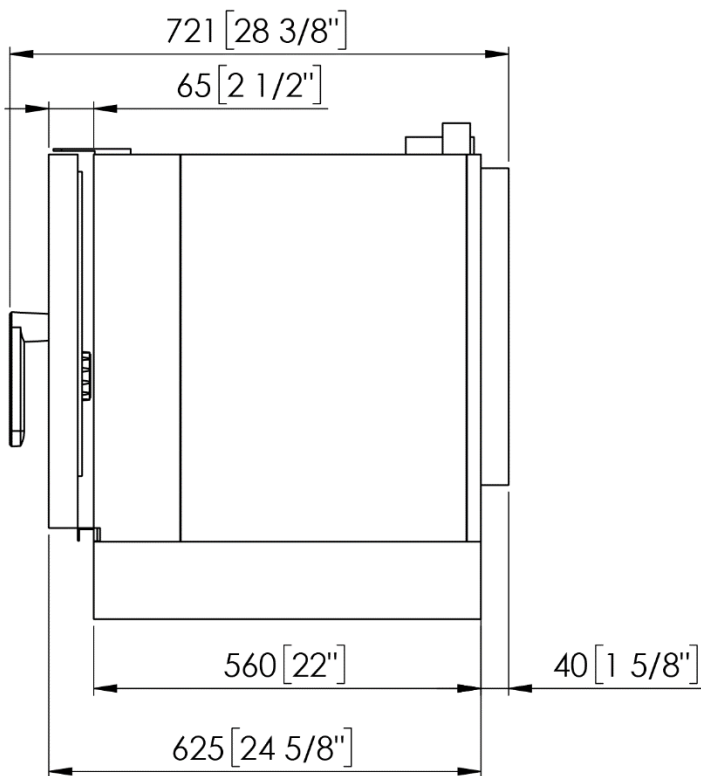
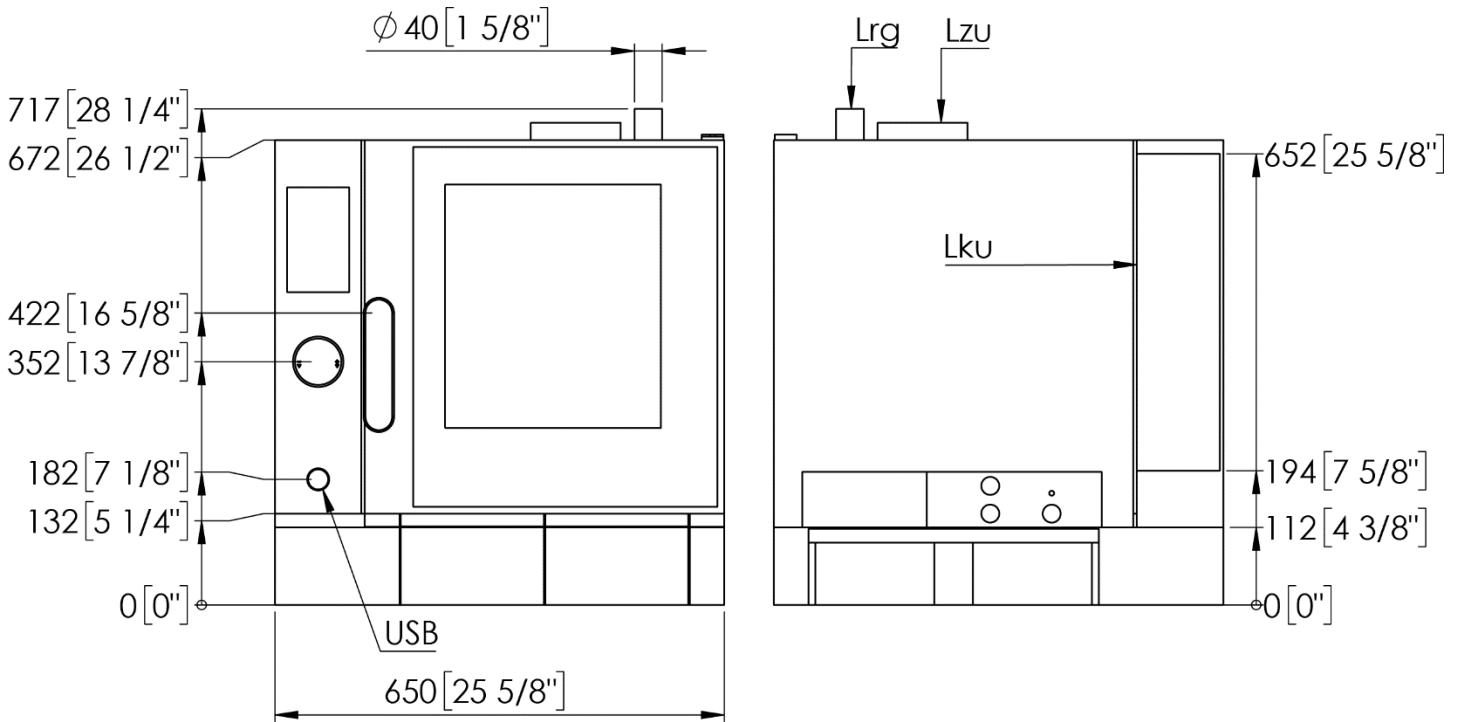


nur bei  
ST-Steuerung/  
only for  
ST module

- Lzu Zuluftöffnung / Supply air opening
- Lku Luftansaugschacht Gerätekühlung/  
Air intake for cooling
- Lrg Abluftrohr / Exhaust air pipe
- USB USB-Buchse / USB port

**JOKER 6-23 with ST module, fresh steam system and water tank module**

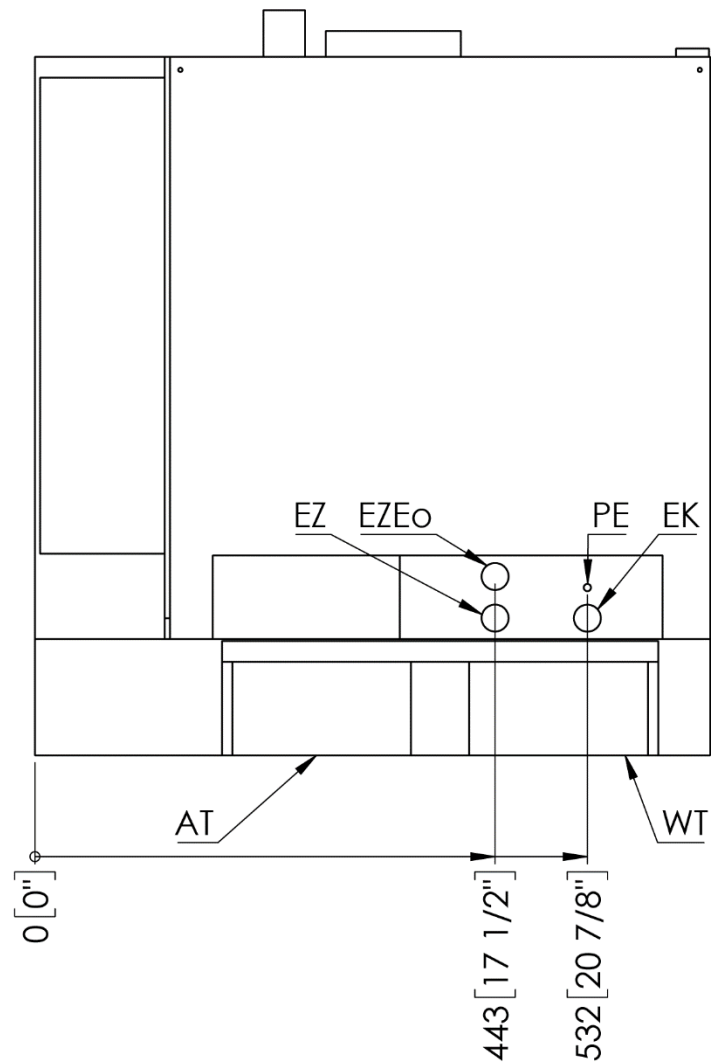
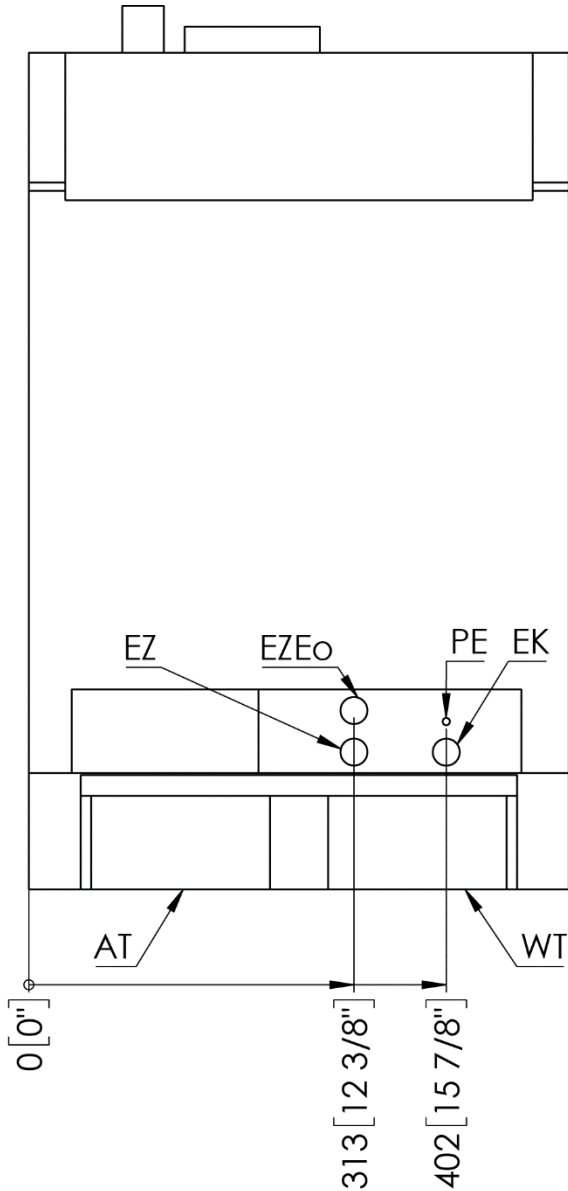
**Dimensioned drawing 6-23, door stop on the right, control on the left**



- Lzu Zuluftöffnung / Supply air opening
- Lku Luftansaugschacht Geräte Kühlung/  
Air intake for cooling
- Lrg Abluftrohr / Exhaust air pipe
- USB USB-Buchse / USB port



Connection diagram



Die Maße entsprechen auch der Variante mit Steuerung Seite (links)/

The dimensions also correspond to the variant with control on the left side

- AT Abwassertank  
Waste water tank
- EK Kommunikationsanschluss (z.B. RS232, LAN)  
Communications connection (e.g. RS232, LAN)
- EWk Anschluss Weichwasser  
Connection for soft water
- EZ Stromversorgung  
Power supply

- EZEo Optimierungsanlage  
Power optimization
- PE Anschluss Potenzialausgleich  
Connection for potential equalisation
- WT Frischwassertank  
Fresh water tank



Taylor UK  
(A division of HTG Trading Ltd)  
106 Claydon Business Park  
Gt. Blakenham, Ipswich  
IP6 0NL

## EQUIPMENT SALES

---

0800 838 896  
sales@taylor-company.co.uk  
www.taylor-company.co.uk

## TECHNICAL SERVICE

---

01473 350000  
service@htgradng.co.uk



Eloma GmbH • Otto-Hahn-Str. 10 • 82216 Maisach/Germany  
T. +49 8141 395-0 • F. +49 8141 395-130 • sales@eloma.com  
eloma.com

an Ali Group Company



The Spirit of Excellence