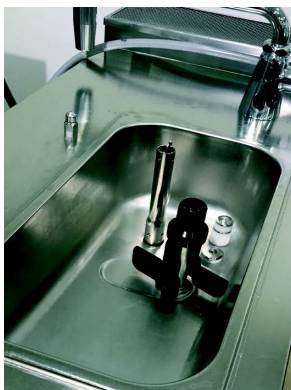


ISI-161T

Compact Soft Serve Freezer - Single Flavour, Gravity



ISI-161T Panel Air Filter



ISI-161T with optional hopper agitator

ITEM No. _____

Model options:

ISI-161T/1A Compact Soft Serve Freezer

Standard equipment:

- 1x Starter kit sanitiser sachets
- 1x Cleaning Kit
- 1x Tube food safe lubricant
- 1x Replacement tune up kit
- 12 Months parts & labour warranty

Optional extras:

- Hopper agitator
- Extended service contract (call for details)

Features:

Compact slimline counter top soft serve freezer. Ideal for businesses looking to add a soft serve product to their menu offer. Perfect for dairy based soft ice cream, frozen yogurt and plant based products.

- **Freezing Cylinder** - One, 1.4 litre
- **Hourly Production**** - 12 Kg (approximately)
- **Mix Hopper** - One, 3.0 litre. Maintains the temperature of mix, under 5°C in Auto & Standby modes. (Hopper agitator available by special order)
- **Direct Motor Drive** - Less noise & Less vibration
- **Artificial Intelligence Control System** - A.I Control System makes high quality soft serve ice cream.
- **Standby** - During long no-use periods, the standby feature maintains safe product temperatures in the mix hopper and freezing cylinder.
- **Slim & Compact Design** - Excellent space utilisation. The mini sized machine is perfect for space limited businesses.
- **Rinse Shower** - Built-in flexible rinse shower makes cleaning easy.



Taylor UK
Catering Equipment Specialists

Taylor UK (a division of HTG Trading Ltd)
106 Claydon Business Park, Gt. Blakenham,
Ipswich, Suffolk, IP6 0NL, United Kingdom
0800 838 896 - sales@taylor-company.co.uk
www.taylor-company.co.uk

Due to continual research and development, these specifications are subject to change without notification - June 2023

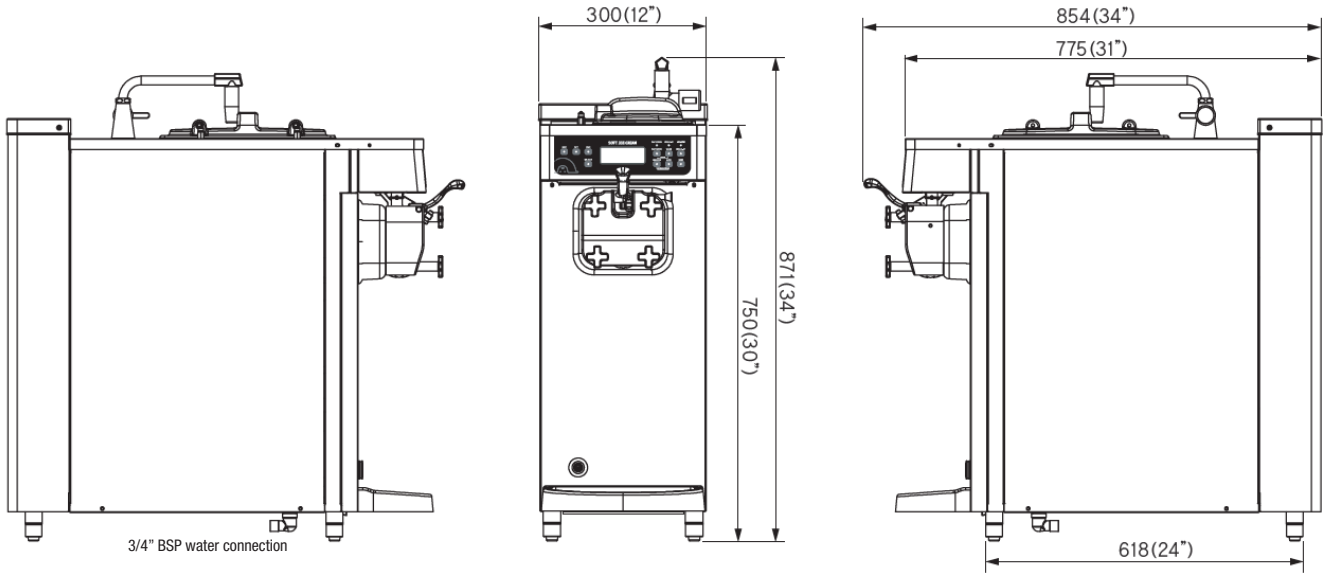
ISI-161T



Compact Soft Serve Freezer - Single flavour, gravity

ITEM No. _____

Section view: (Dimensions shown in brackets in inches)



Icetro ISI-161T	SINGLE PHASE
External dimensions (WxDxH)	300 x 854 x 871 mm
Net weight / crated weight (freezer only)	89 Kg / 108 Kg
Wall clearance* (sides/back)	25 mm / 25 mm
Soft serve freezers are NOT designed for built-in installation	
Refrigeration	R452a
Beater motor	0.35 Kw
Cooling	Air ONLY
Approximate hourly production**	12 Kg
Water connection - rinse shower	3/4" BSP - Potable
Power consumption	1,200 w
Voltage	230v / 50Hz / 1Ph
Total amp draw	7.0 amps
Circuit breaker/fuse	13 amp
Isolator socket	13 amp (1P+N+E)



*Minimum air clearances **MUST** be met to assure adequate airflow for optimum performance of air cooled machines. Place the back of the unit against a wall to prevent recirculation of warm air.

**Hourly production figures are approximate and based on optimum operating conditions. Product type, ambient air temperature and air flow will effect the production capacity.

♦ A dedicated power supply is required within 1m for safe operation. Icetro equipment should never be operated on any form of extension lead, please consult a qualified electrician for correct installation advice.



Taylor UK
Catering Equipment Specialists

Taylor UK (a division of HTG Trading Ltd)
106 Claydon Business Park, Gt. Blakenham,
Ipswich, Suffolk, IP6 0NL, United Kingdom
0800 838 896 - sales@taylor-company.co.uk
www.taylor-company.co.uk

Due to continual research and development, these specifications are subject to change without notification - June 2023